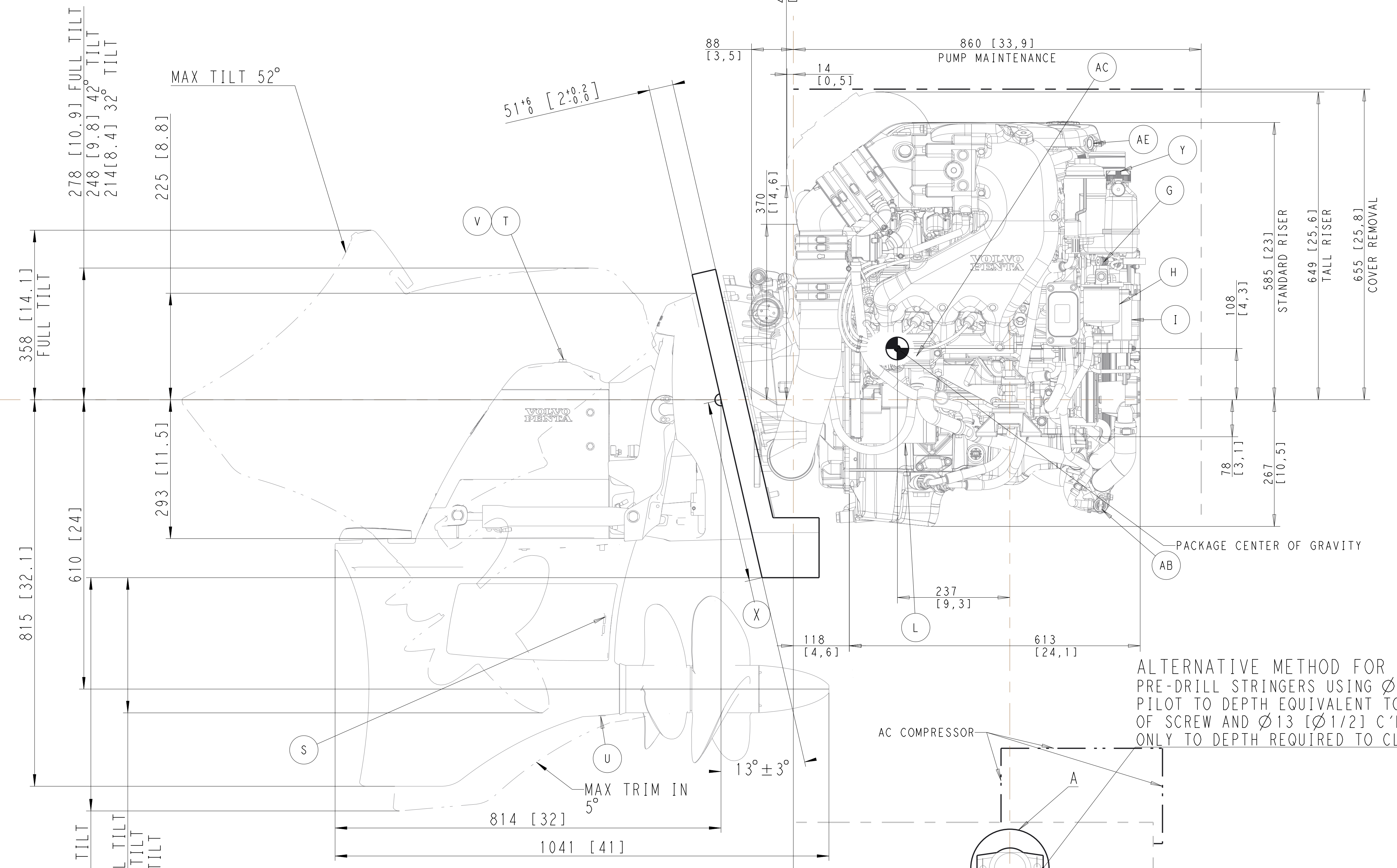
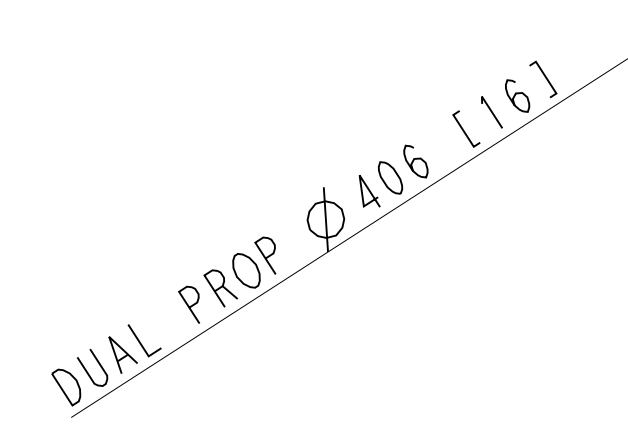


RECOMMENDED CLEARANCE FOR EASY DRAIN MAINTENANCE



ALTERNATIVE METHOD FOR ENGINE MOUNT:  
 PRE-DRILL STRINGERS USING Ø9 [Ø11/32] FOR PILOT TO DEPTH EQUIVALENT TO PENETRATION OF SCREW AND Ø13 [Ø1/2] C'BORE IF NECESSARY. ONLY TO DEPTH REQUIRED TO CLEAR SCREW SHANK.

LETTER	NAME
A	OIL FILTER, ENGINE
B	OIL FILL, ENGINE
C	OIL DRAIN, ENGINE
D	OIL DIPSTICK, ENGINE
E	RAW WATER PUMP
F	LIFTING EYE
G	FUEL CONNECTION, I.D. 9,5 [3/8] NPT OR 6,35 [1/4] NPT
H	FUEL FILTER
I	ELECTRICAL FUEL PUMP
J	THROTTLE CABLE NON EVC
K	WATER COOLED EXHAUST PIPE
L	STARTER MOTOR
M	FUSE PANEL
N	ELECTRICAL CONNECTION ENGINE - INSTRUMENT PANEL
O	CIRCUIT BREAKER FOR TRIM PUMP
P	OIL FILL, POWER STEERING
R	STEERING CABLE
S	WATER INTAKE
T	OIL FILL, DRIVE UNIT
U	OIL DRAIN, DRIVE UNIT
V	OIL DIPSTICK, DRIVE UNIT
X	SEE INSTALLATION INSTRUCTIONS
Y	COOLANT FILL AND LEVEL CHECK
Z	ENGINE FLUSH
AC	ANODE, EXHAUST MANIFOLDS (BOTH SIDES)
AB	EASY DRAIN - VALVE
AD	EASY DRAIN HANDLE OPEN/CLOSE
AE	AUXILIARY STOP
AF	EXTERNAL ENGINE FLUSH

