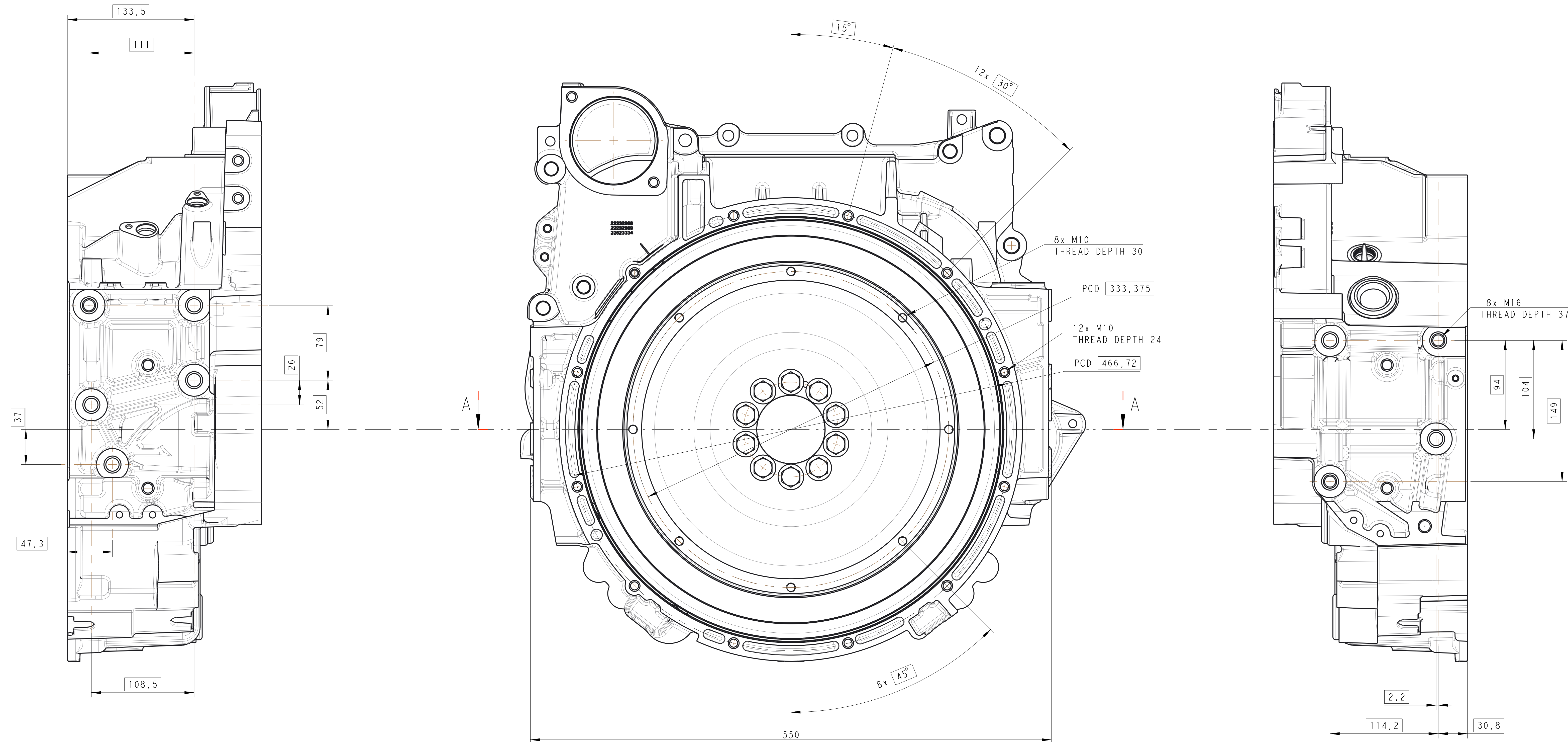


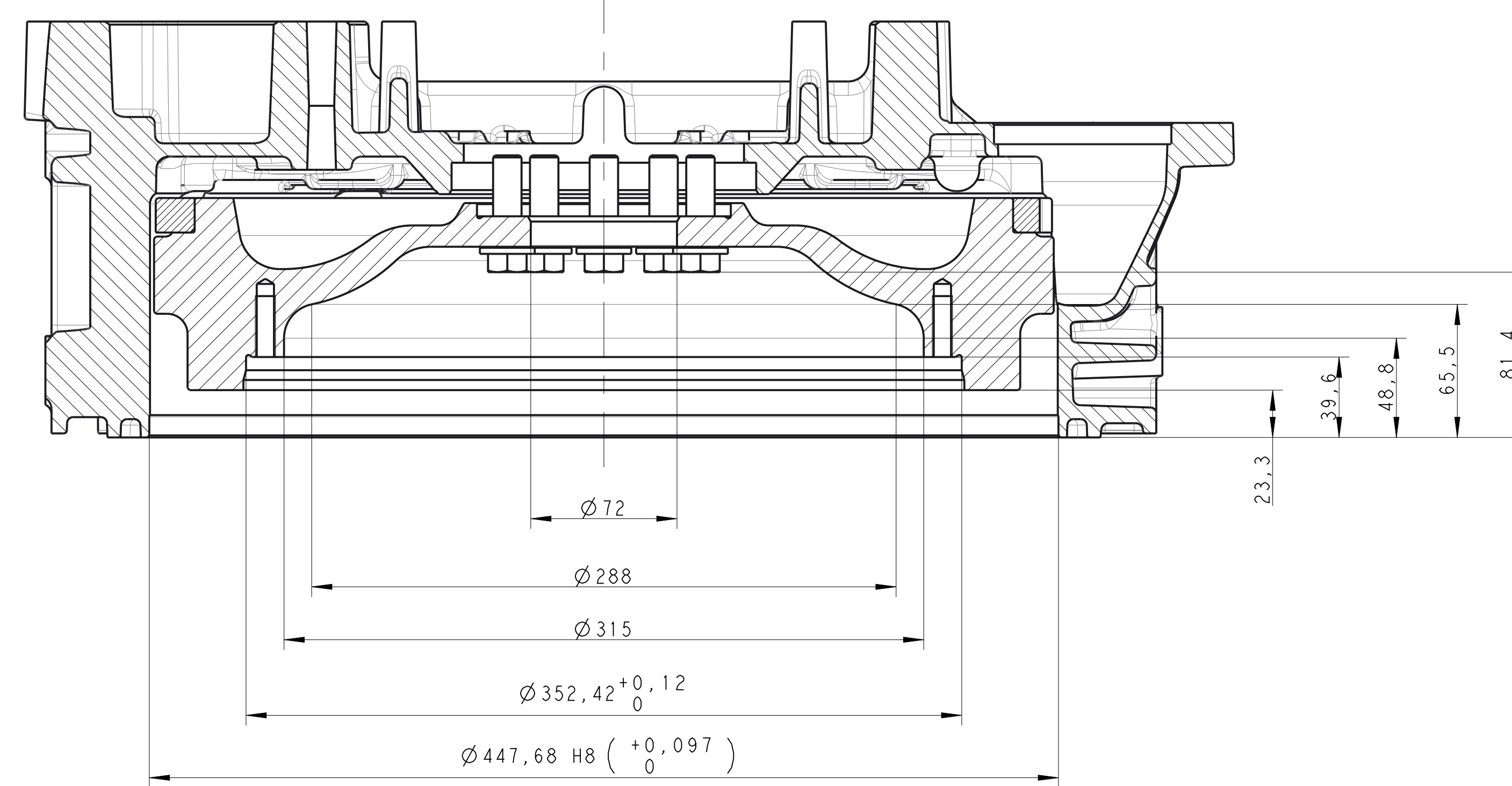
(RIGHT SIDE ENGINE)

SAE 2

(LEFT SIDE ENGINE)



A - A



MOMENT OF INERTIA (I) FLYWHEEL = 1,733 Kg^m²

SCALE 1:2

<p>The copying, distribution and utilization of this document as well as the communication of its contents to other persons without the prior written consent of the Volvo Pentia is prohibited. Offenders will be held liable for damages. All rights reserved in the event of the grant of patent, utility model or trademark design registration.</p> <p>VOLVO PENTIA</p>	<p>SYMBOLS, DESIGNATIONS AND GENERAL DRAWING METHODS STD 101-0005</p>		<p>Document title FLYWHEEL AND FLYWHEEL HOU SAE 2 Dimension type DIMENSION DRAWING Over dimension Document profile</p>	
	Document No	Issue index		Sheet No
	23096165	01		1(1)
	<p>DATE</p>			