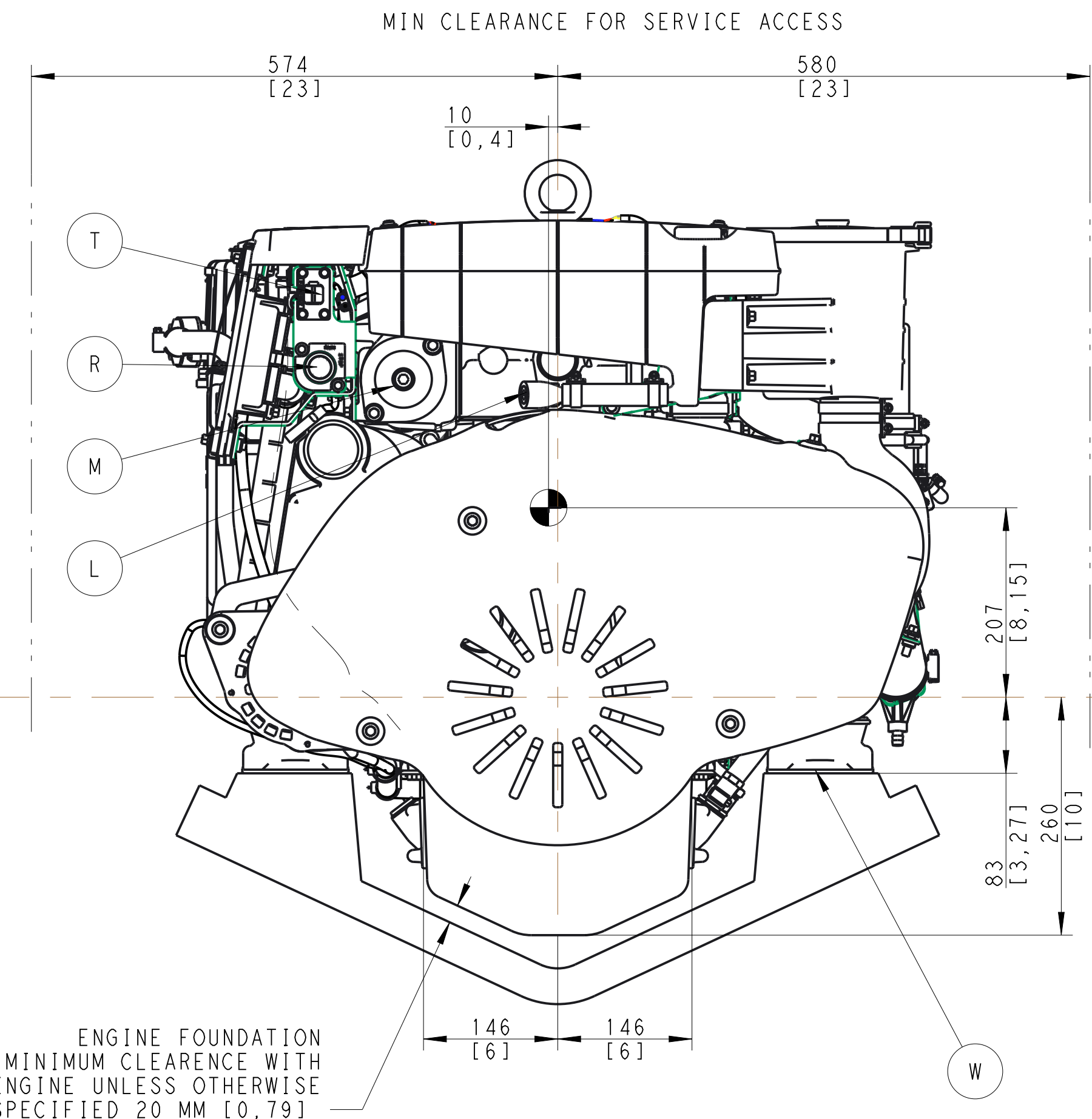
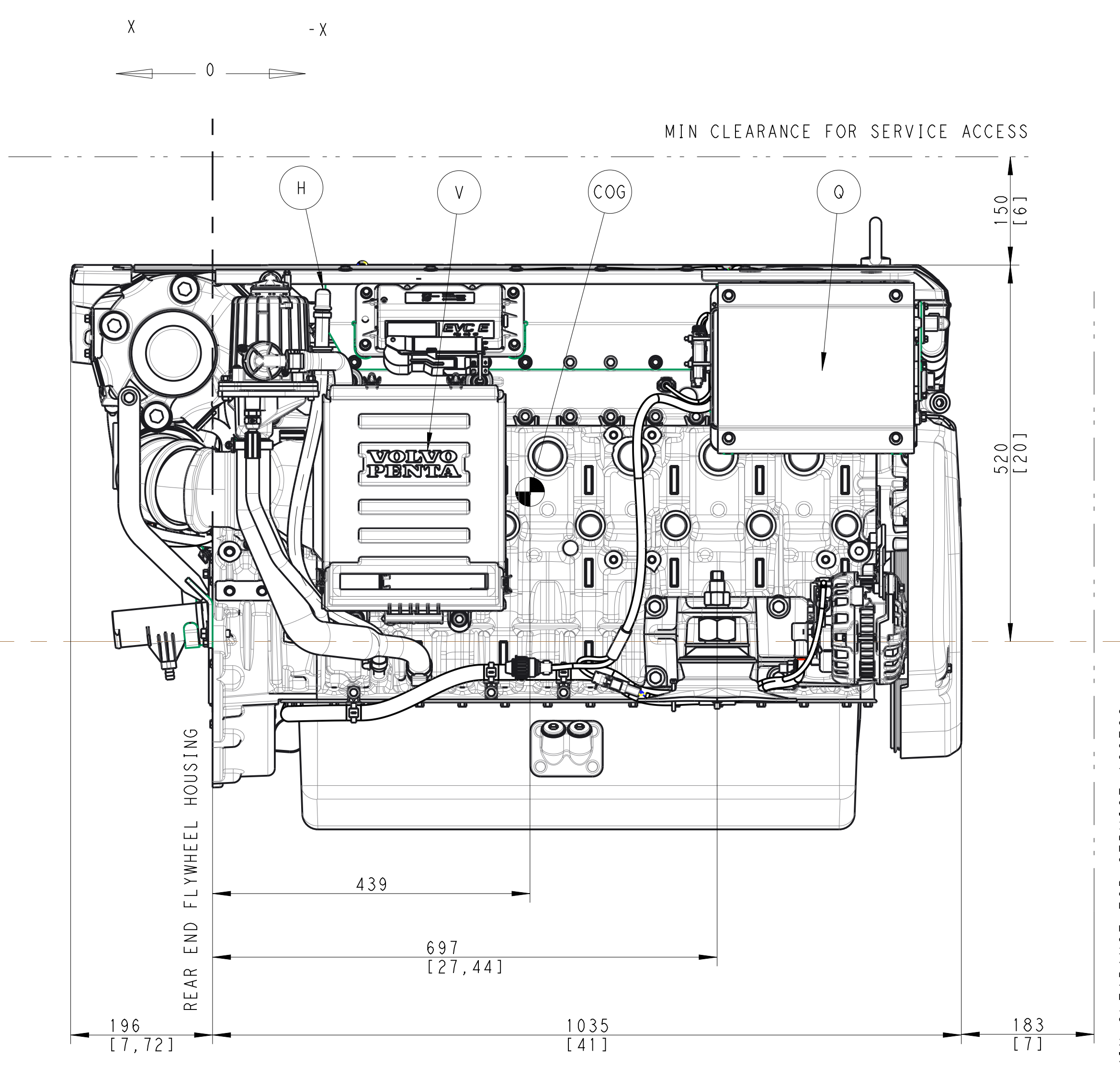


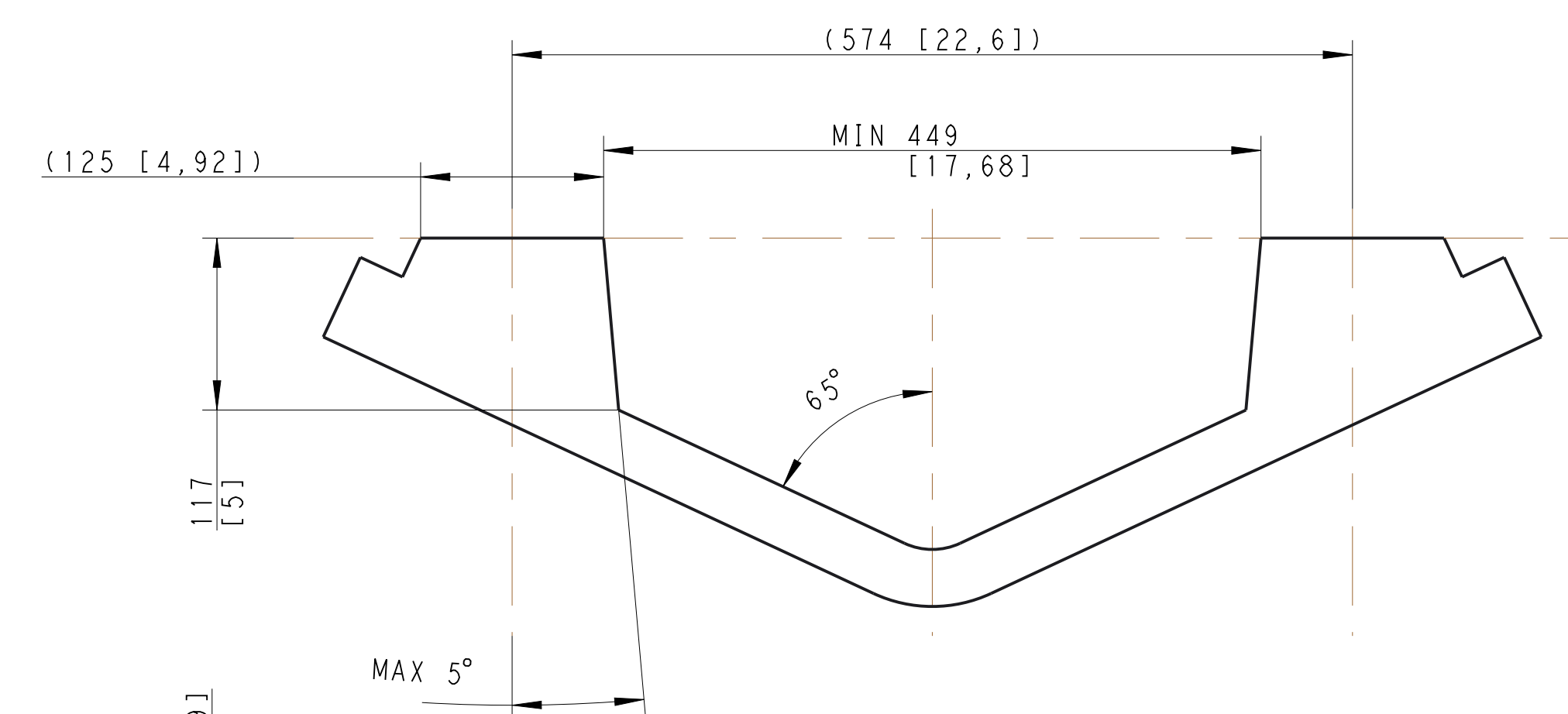
ENGINE FOUNDATION



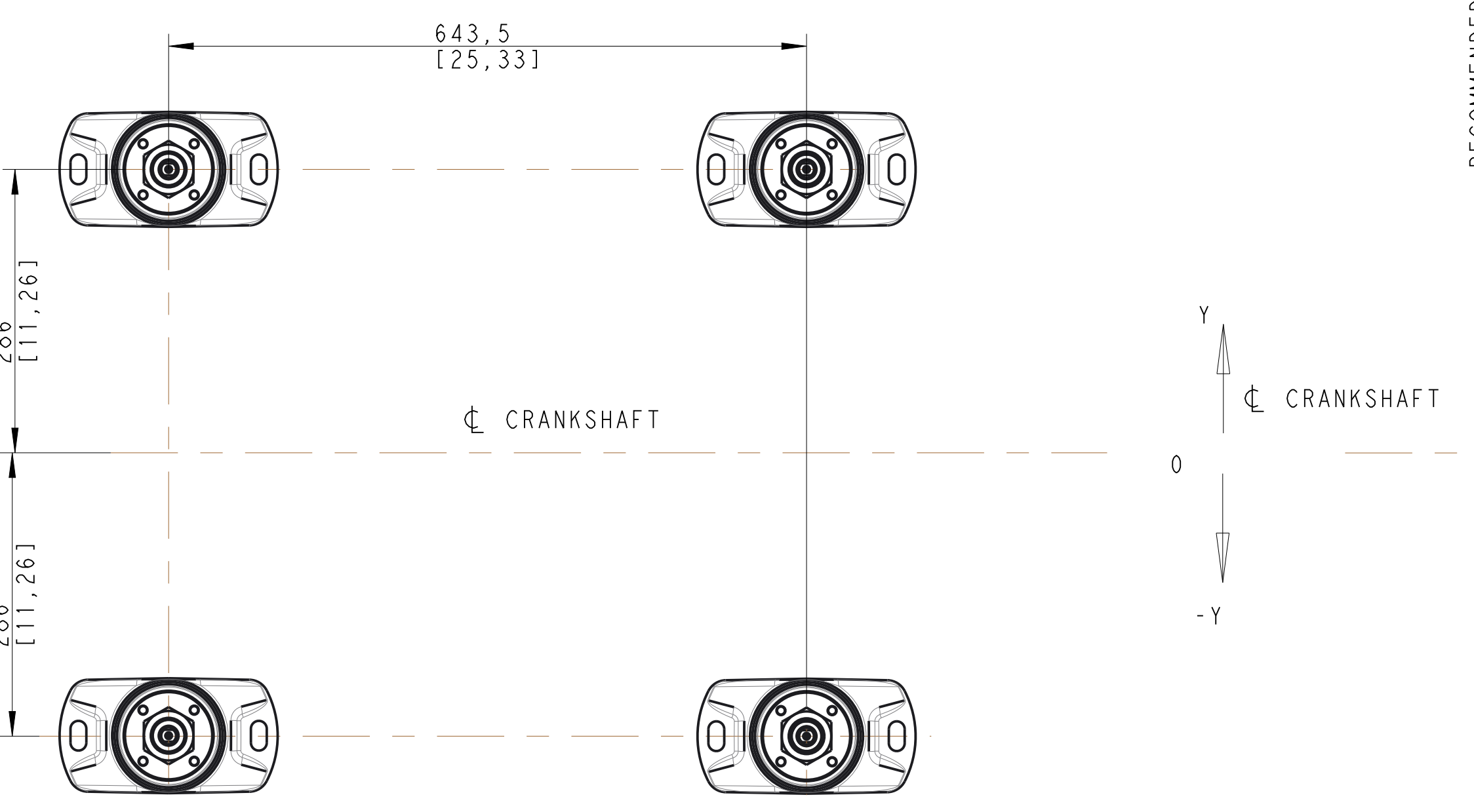
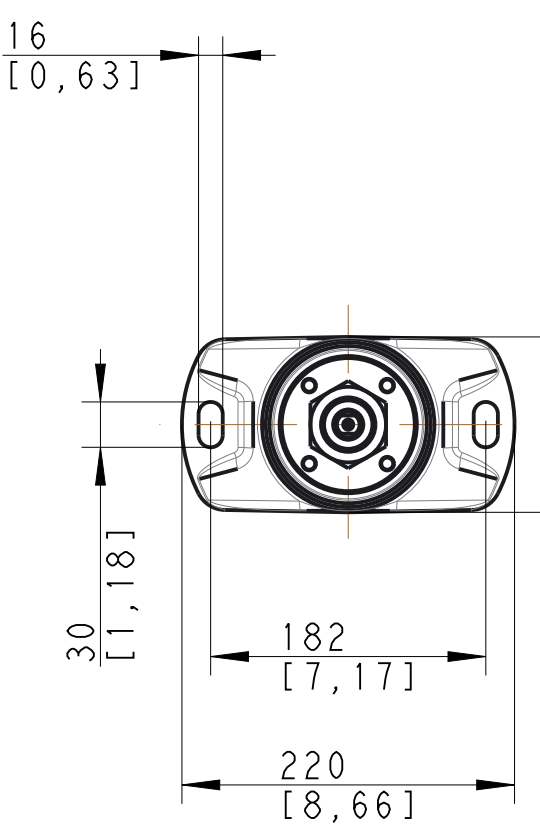
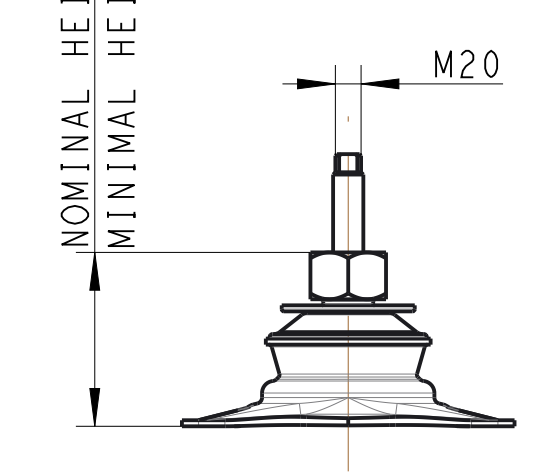
ENGINE FOUNDATION
 MINIMUM CLEARANCE WITH
 ENGINE UNLESS OTHERWISE
 SPECIFIED 20 MM [0,79]



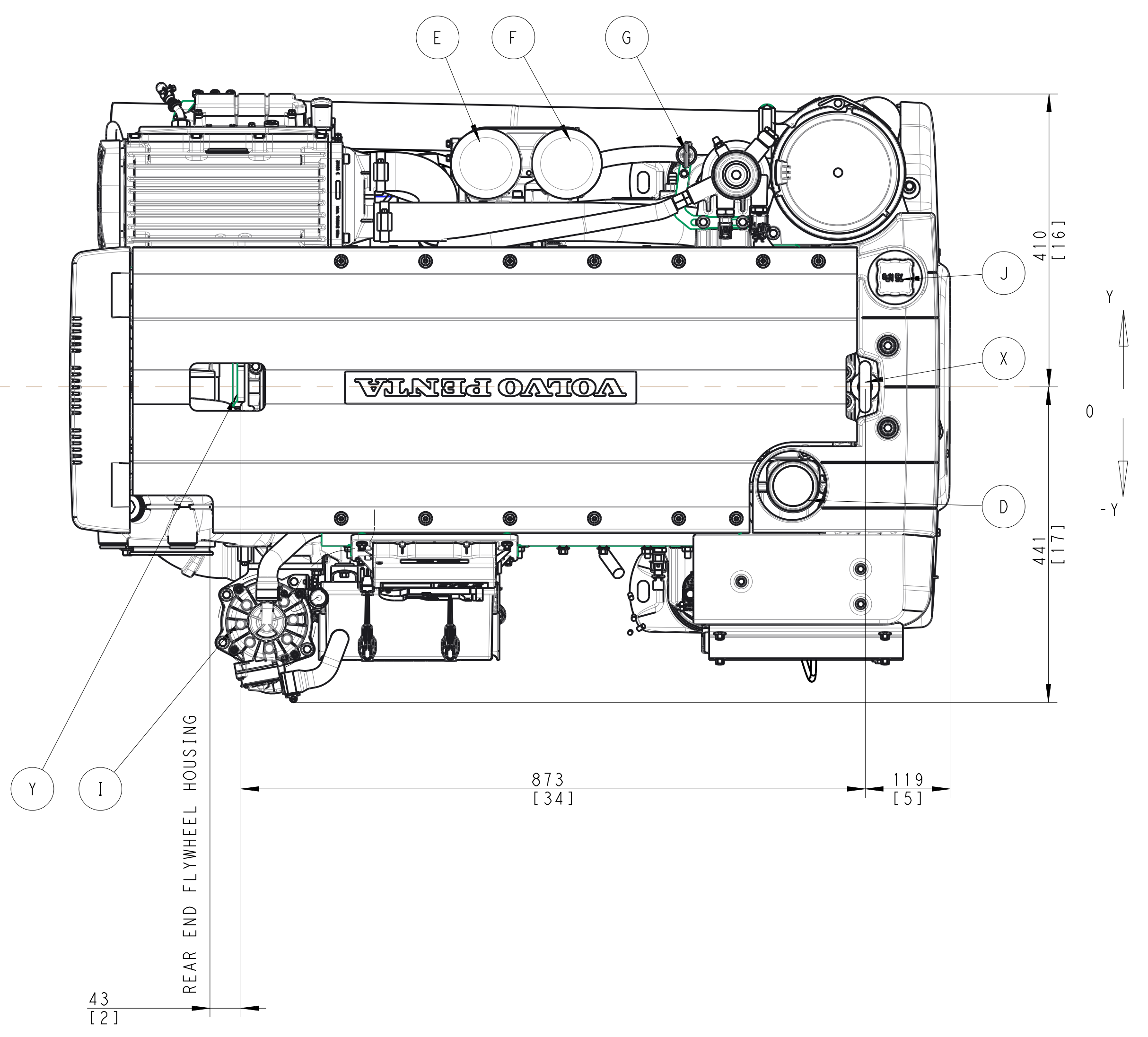
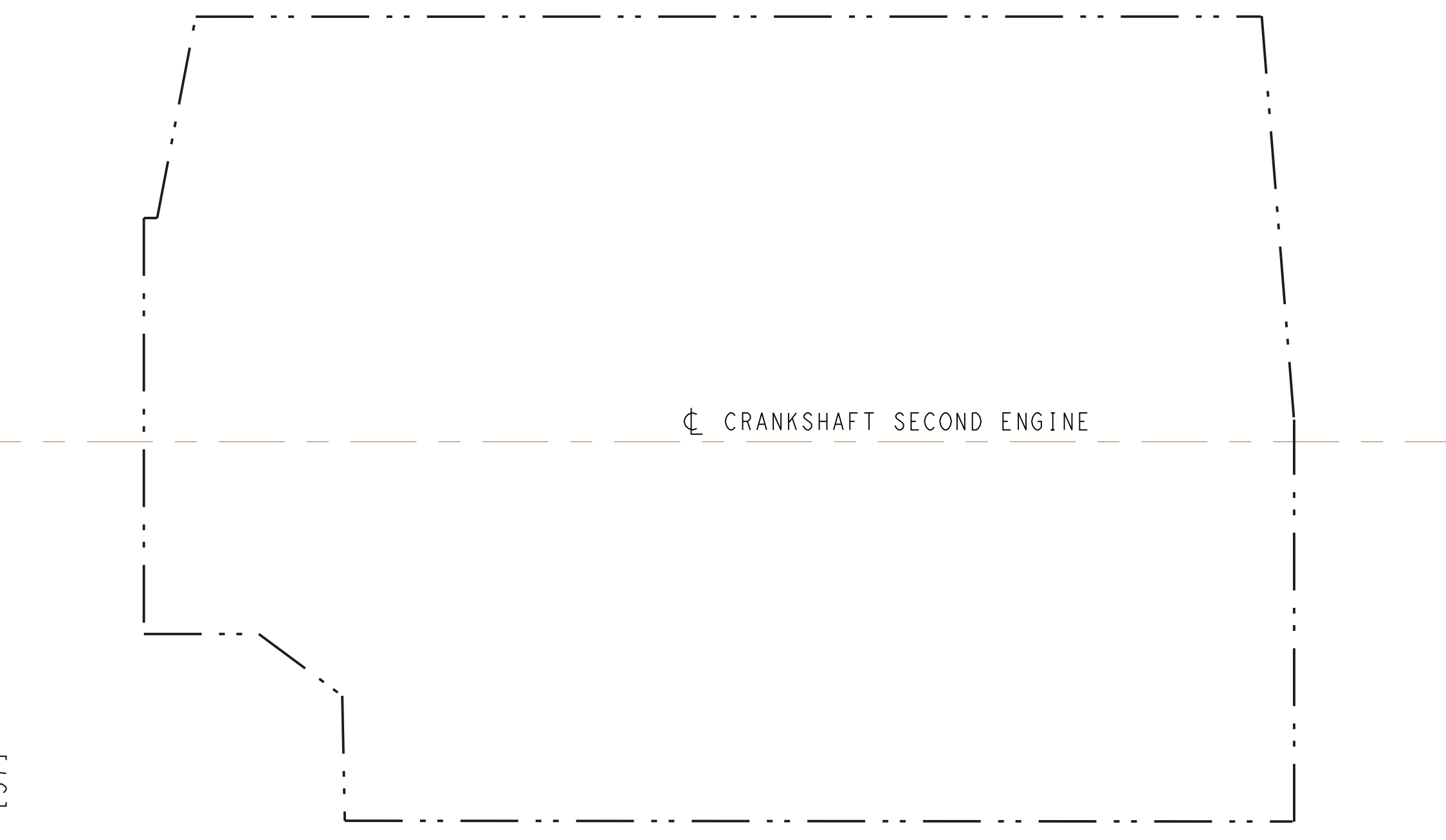
MIN CLEARANCE FOR SERVICE ACCESS



NOMINAL HEIGHT: 115 mm [4,53] ADJUSTABLE: ±10 mm [0,39]
 MINIMAL HEIGHT AND MAX COMPRESSION: 99 mm [3,90]



RECOMMENDED MIN DISTANCE
 TWIN INSTALLATION: 950 mm [37]



| | |
|-----|-----------------------------------------------------|
| A | FUEL CONNECTION INLET. 10mm I.D. HOSE |
| B | FUEL CONNECTION OUTLET. 10mm I.D. HOSE |
| C | FUEL FILTER |
| D | OIL FILLER ENGINE |
| E | OIL FILTER, MAIN |
| F | OIL FILTER, BYPASS |
| G | OIL DIPSTICK ENGINE PORT (STANDARD) |
| H | OUTLET FOR OIL BILGE PUMP. 13mm OR [1/2"] I.D. HOSE |
| I | CRANK CASE VENTILATION FILTER |
| J | FRESH WATER FILLER |
| K | FRESH WATER DRAIN POINT |
| L | CONNECTION HOT WATER INLET R [1/2"] (OPTION) |
| M | CONNECTION HOT WATER OUTLET R [1/2"] (OPTION) |
| N | SEA WATER INLET FOR Ø50mm OR [2"] I.D. HOSE |
| O | SEA WATER DRAIN POINT (2x) |
| P | SEA WATER PUMP |
| Q | ECU CONTROL UNIT |
| R | ENGINE STOP |
| S | FUSES |
| T | VOLVO PENTA FACTORY CONNECTION POINT |
| U | DATALINK, SENDER AND AUX (2x) |
| V | AIR FILTER |
| W | ELASTIC SUSPENSION (4x) |
| X | LIFTING EYE, FRONT, Ø40 |
| Y | LIFTING EYE, REAR, Ø30 |
| COG | CENTER OF GRAVITY |

SCALE 1:5

SYMBOLS, DESIGNATIONS AND GENERAL DRAWING METHODS STD 101-0005

The copying, distribution and utilization of this document as well as the completion of its contents to other persons without the prior written consent of the copyright holder is prohibited. Offenders shall be held liable for the payment of damages. All rights reserved in the event of the grant of patent, utility model or trademark design registration.

Document title: **ENGINE DIMENSIONS**
 D6-300, D6-340, D6-380

Document type: **ENGINE DIMENSIONS**

Over domain Document prefix: **23352045**

Issue index: **02**

Sheet No: **1(1)**

VOLVO PENTA