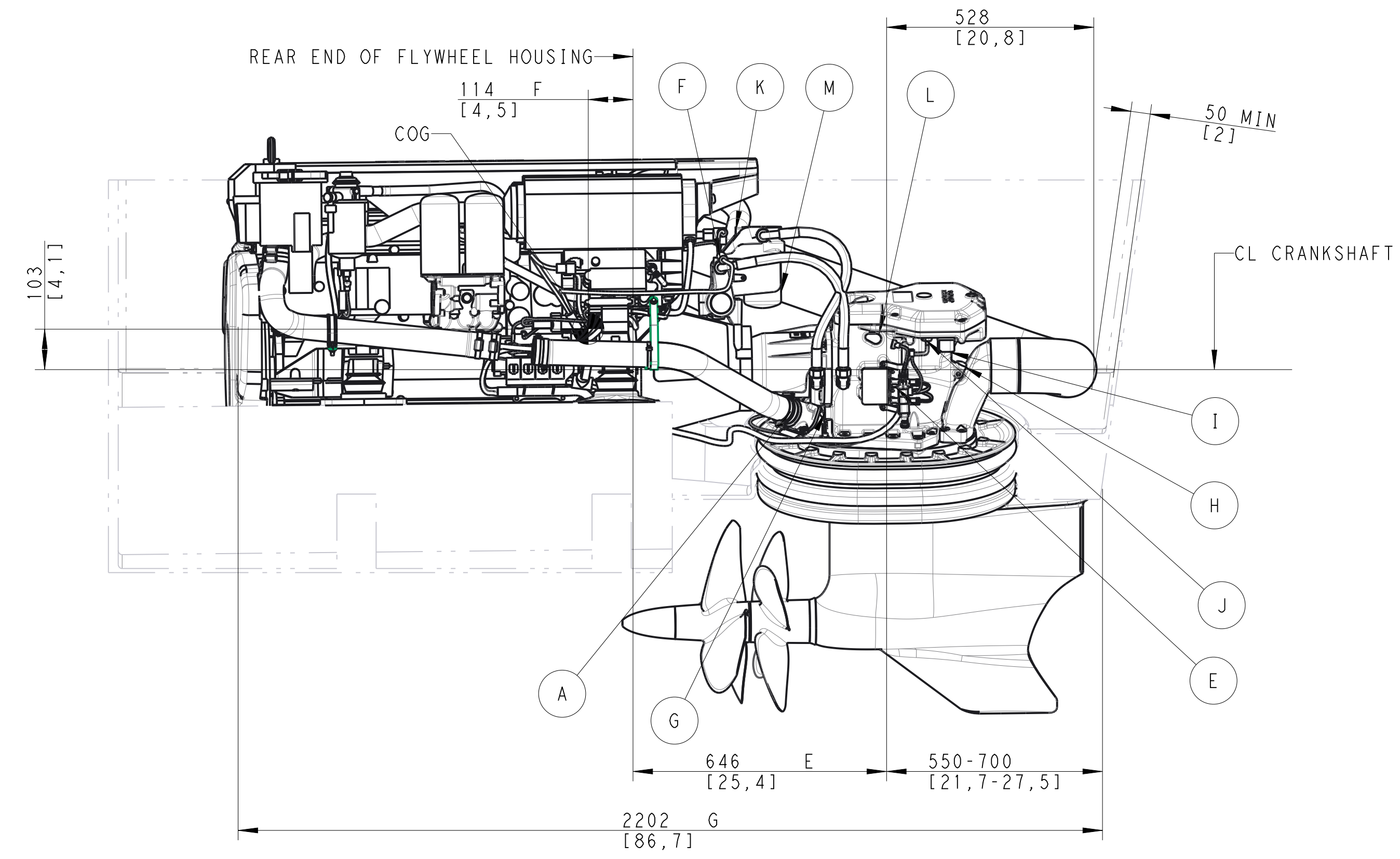
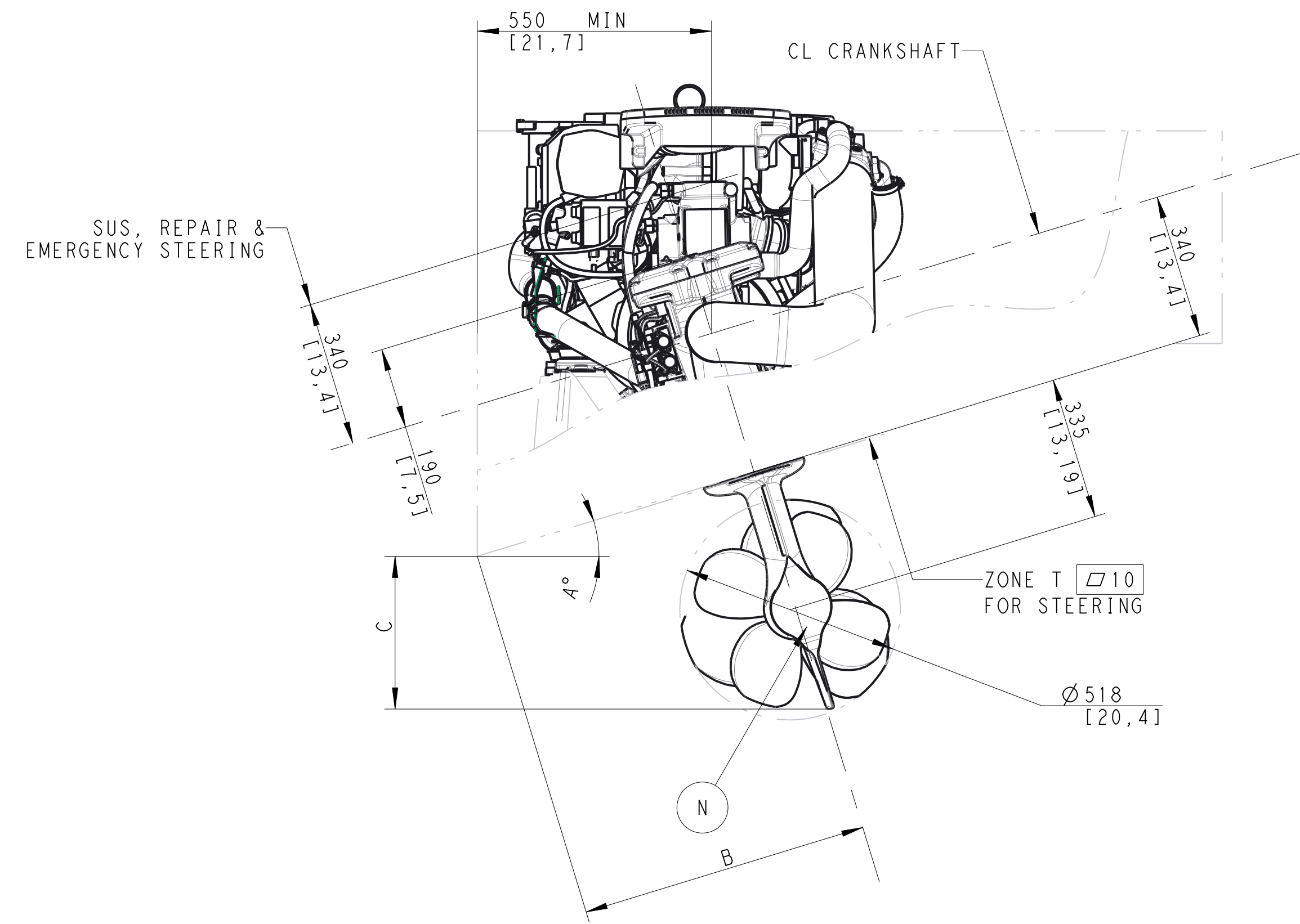
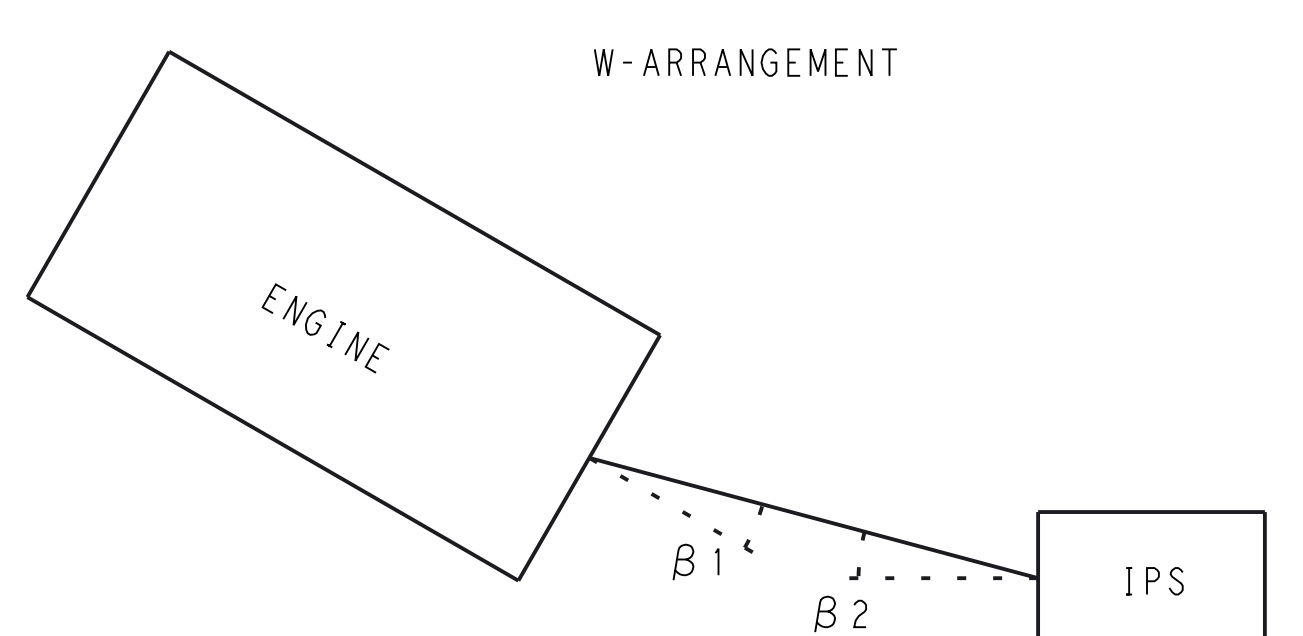
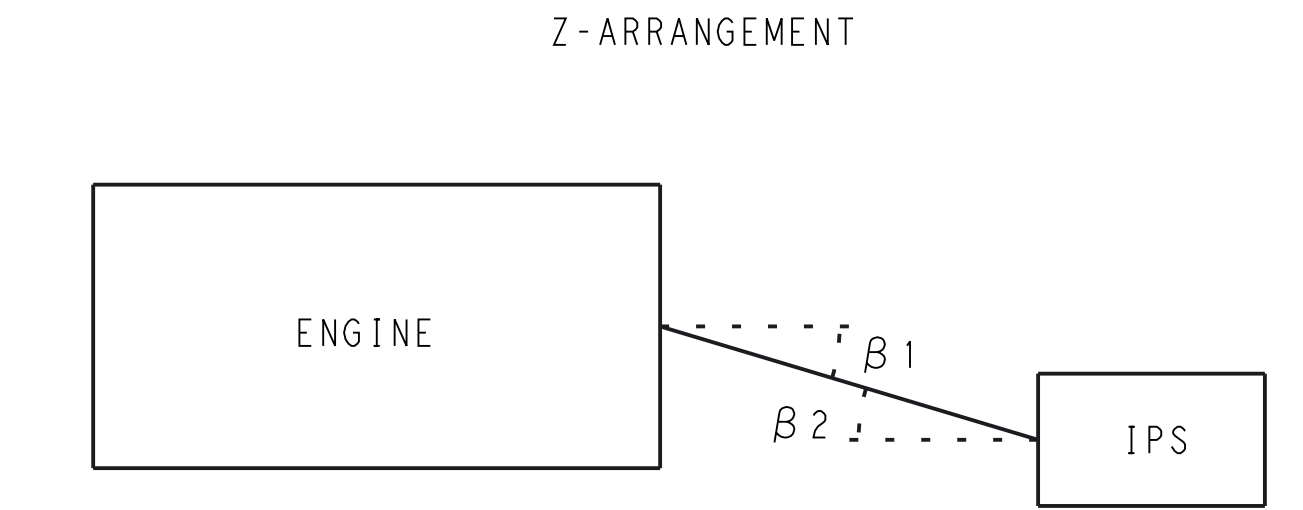


A°	B	C
5	582	532
6	589	521
7	596	508
8	603	496
9	611	483
10	618	469
11	626	455
12	635	441
13	643	426
14	652	410
15	661	395
16	670	378
17	679	362
18	689	344
19	699	326
20	709	308
21	720	289
22	731	270
23	742	250
24	753	229



DRIVE SHAFT ARRANGEMENT

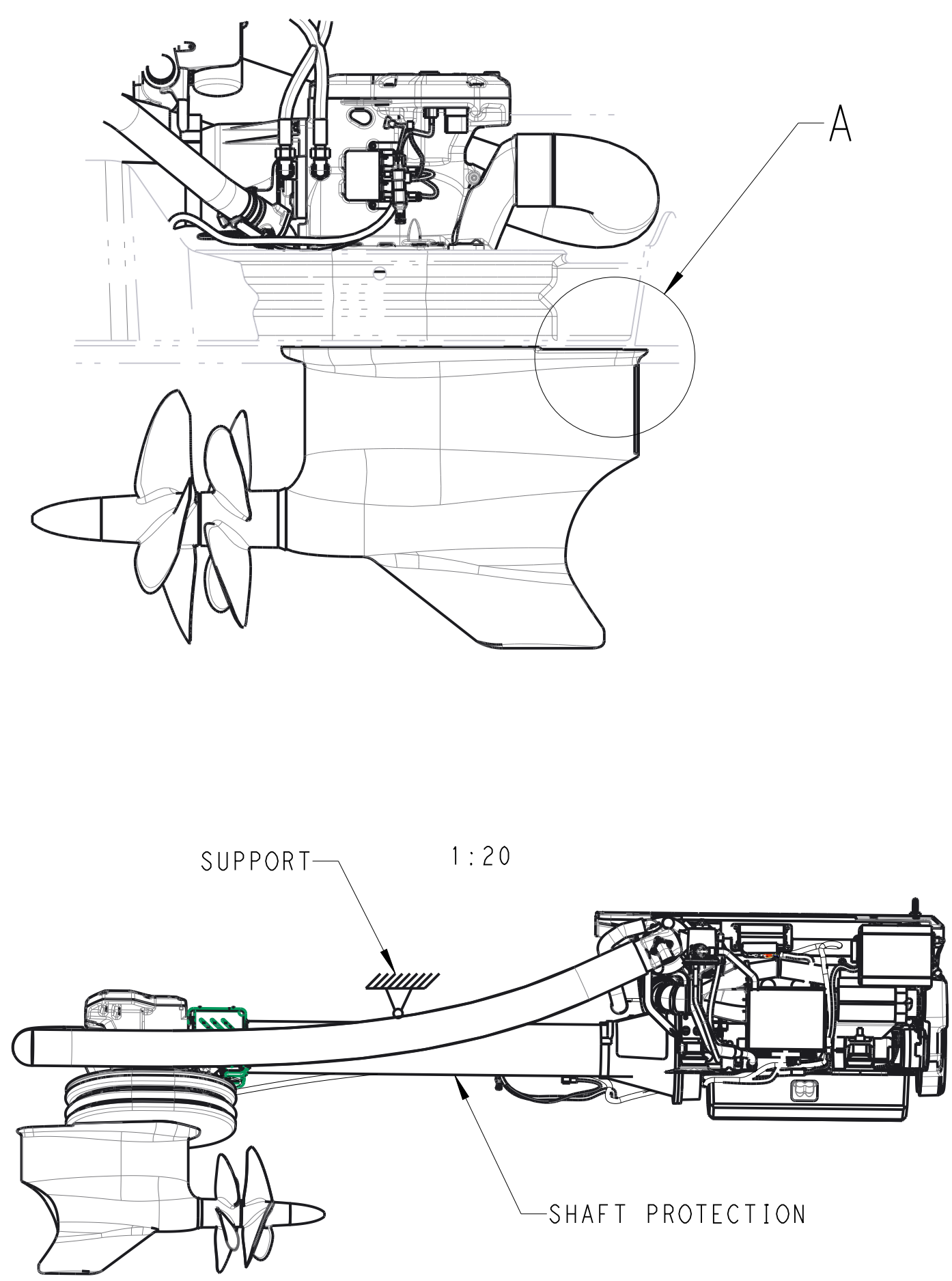
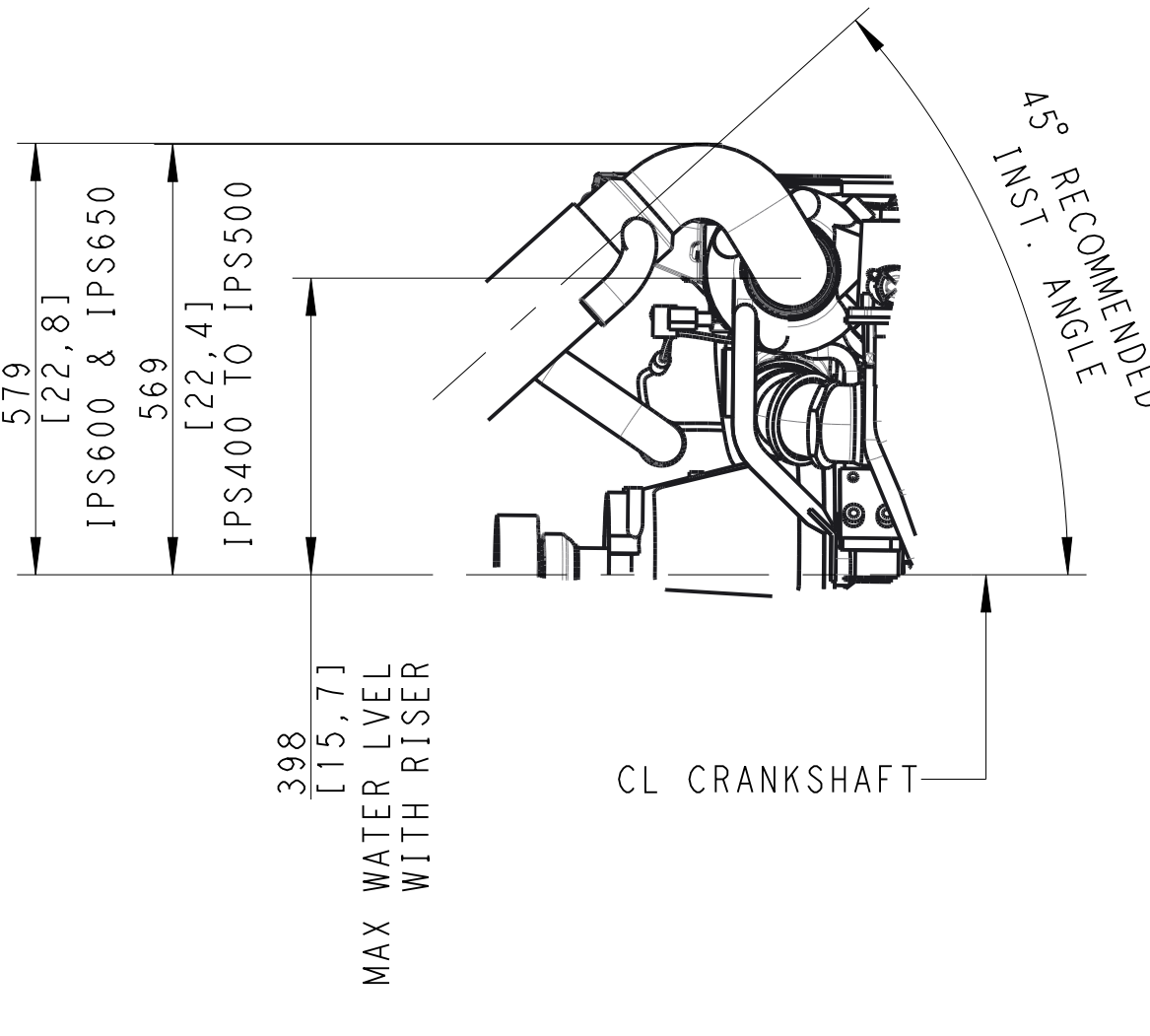
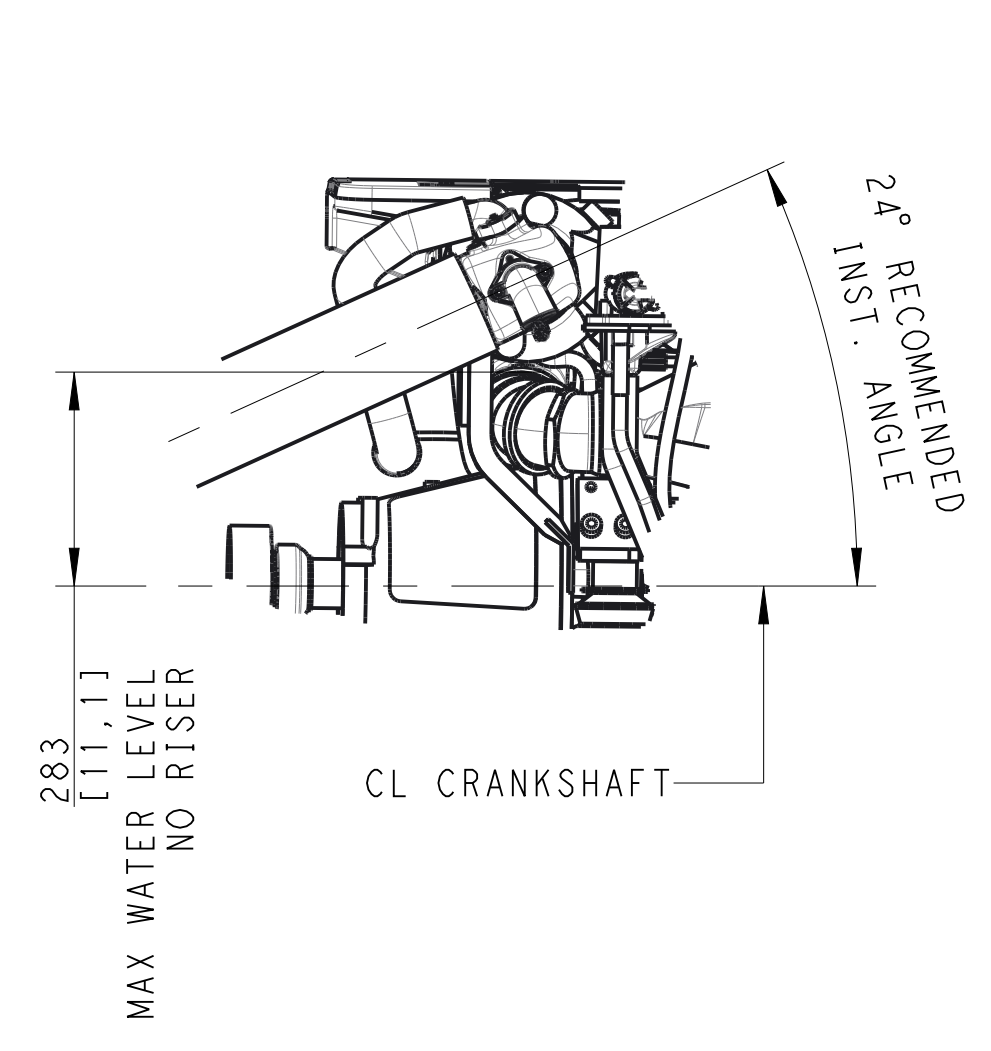
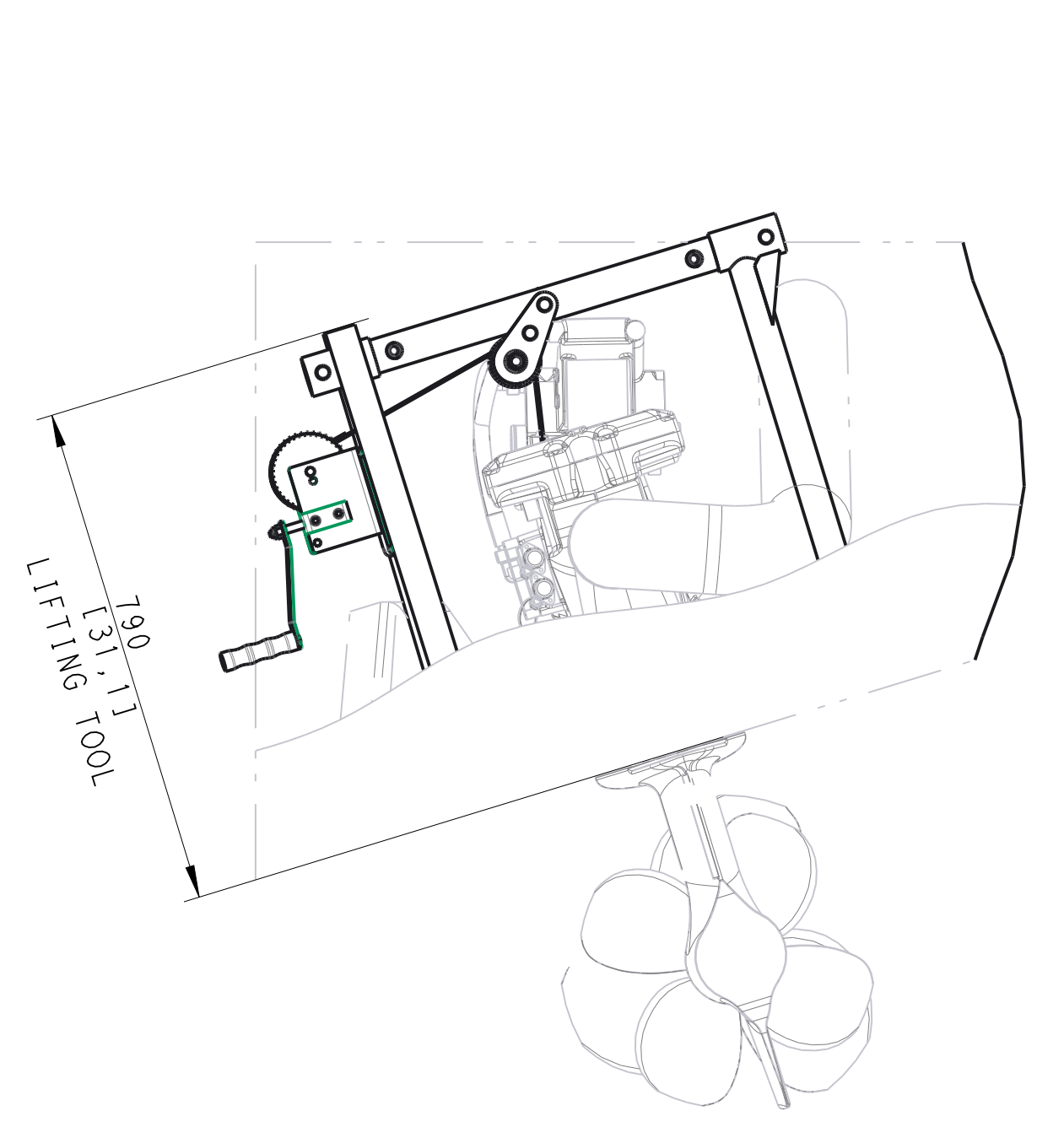
- Z & W ARRANGEMENT ALLOWED.  
 - B1 AND B2 SHALL BE MAXIMUM 3° IN ONE PLANE.  
 - B1 AND B2 SHALL BE EQUAL WITHIN 1°.



CARDAN LENGTH	D	E	F	G
STD. 385±15mm	2*	646	114	2202
570-650mm	0	831-911	5	2387-2467
670-750mm	0	931-1011	-30	2487-2567
770-850mm	0	1031-1111	-60	2587-2667
870-950mm	0	1131-1211	-100	2687-2767
970-1050mm	0	1231-1311	-130	2787-2867
1070-1150mm	0	1331-1411	-160	2887-2967
1170-1250mm	0	1431-1511	-195	2987-3067
1270-1350mm	0	1531-1611	-230	3087-3167
1370-1450mm	0	1631-1711	-265	3187-3267
1470-1550mm	0	1731-1811	-295	3287-3367
1570-1650mm	0	1831-1911	-330	3387-3467
1670-1750mm	0	1931-2011	-365	3487-3567

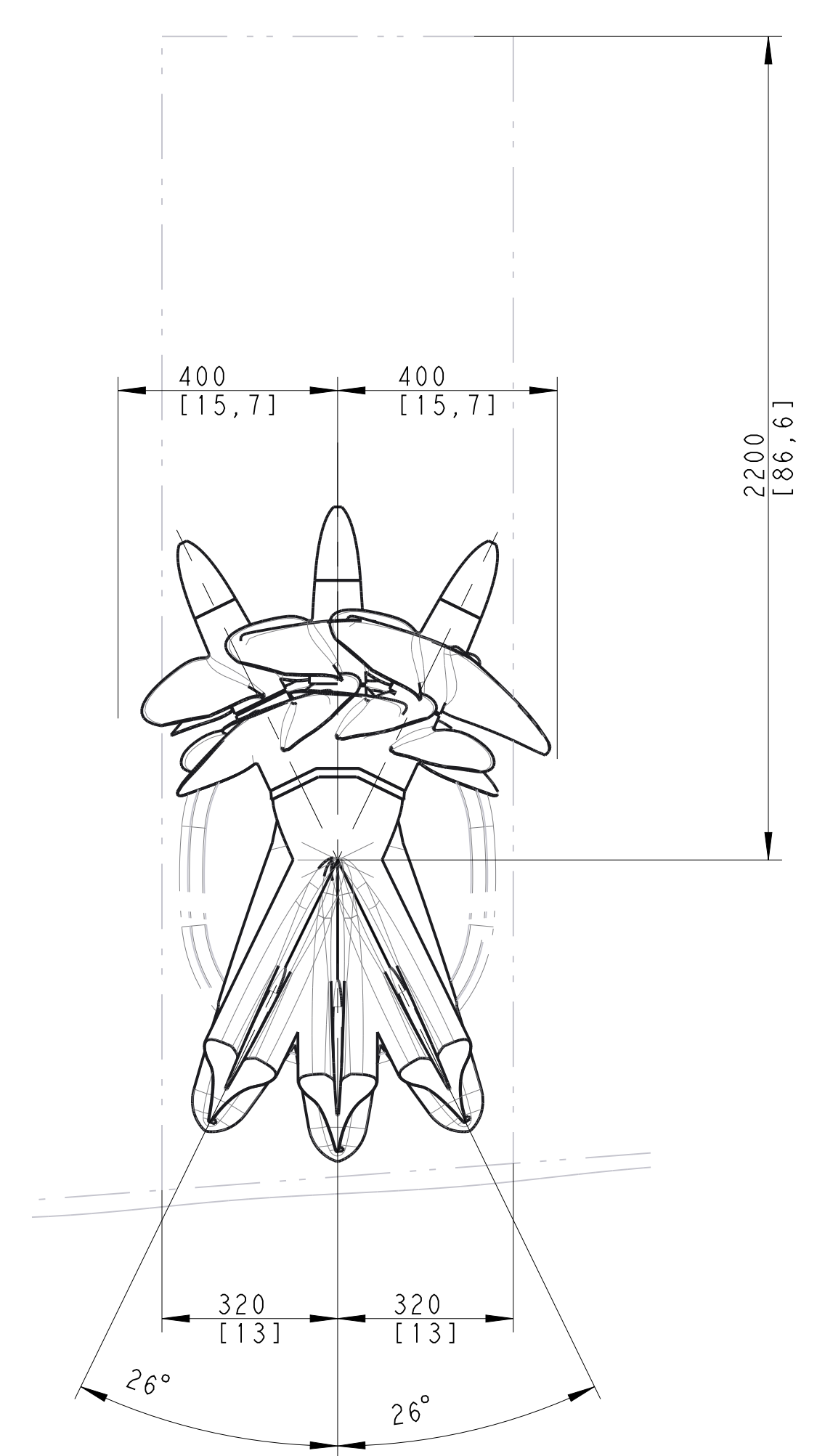
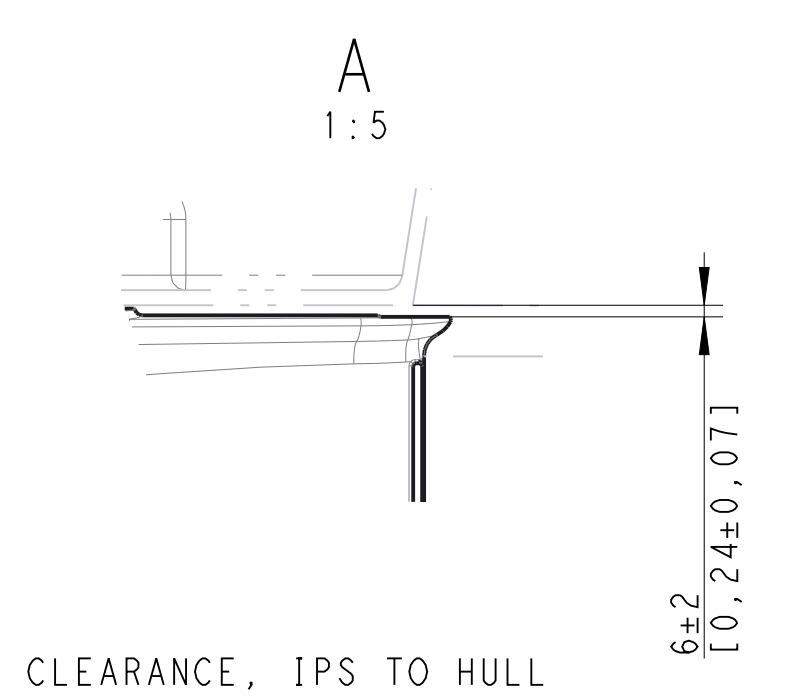
\*0° OPTIONAL, 0° INSTALLATION ANGLE WILL AFFECT JOYSTICK PERFORMANCE

INSTALLATION WITH STD EXHAUST PIPE ELBOW      INSTALLATION WITH EXHAUST PIPE RISER

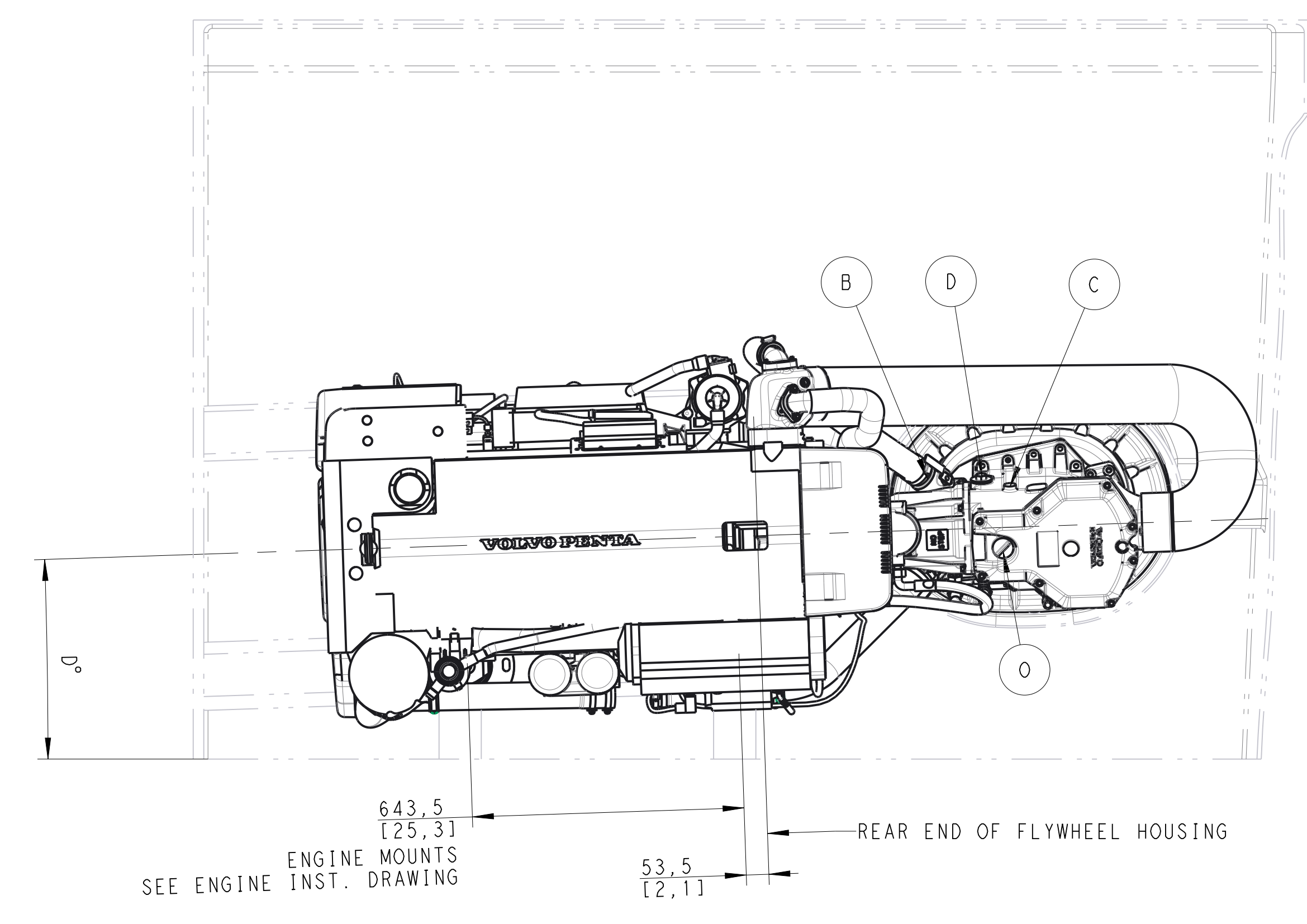


THE WEIGHT OF THE EXHAUST SYSTEM MUST NOT LOAD THE EXHAUST RISER OR TURBO. THEREFORE, EQUIP THE EXHAUST SYSTEM WITH SUSPENSION OR SUPPORTS. IF THE LENGTH OF THE EXHAUST HOSE EXCEED 1500 mm.

SHAFT PROTECTION REQUIRED FOR EXTENDED INSTALLATION, NOT PROVIDED BY VOLVO PENTA.



DRIVE LEGS INSTALLED PERPENDICULAR AND FLUSH TO HULL BOTTOM, CLEARANCE AROUND IPS INSTALLATION.



- (A) SEA WATER INLET, HOSE ID 50mm [2"]
- (B) SEA WATER BYPASS, HOSE ID 50mm [2"] (IPS600 & IPS650)
- (C) OIL CHANGE, FILL & DRAIN
- (D) OIL STRAINER
- (E) CONNECTION, SHIFT SOLENOIDS
- (F) CONNECTION, OIL TEMP & PRESSURE SENSOR
- (G) CONNECTION, WATER IN OIL SENSOR
- (H) CONNECTION, OIL LEVEL SENSOR
- (I) CONNECTION, POWER, SERVO UNIT
- (J) CONNECTION, SIGNAL, SERVO UNIT
- (K) CONNECTION, OIL DIFF PRESSURE SENSOR
- (L) CONNECTION, GEAR SPEED SENSOR
- (M) OIL FILTER
- (N) OIL DRAIN
- (O) OIL CAP

ENGINE RELATED ITEMS  
 SEE ENGINE INSTALLATION DRAWINGS

SCALE 1:10