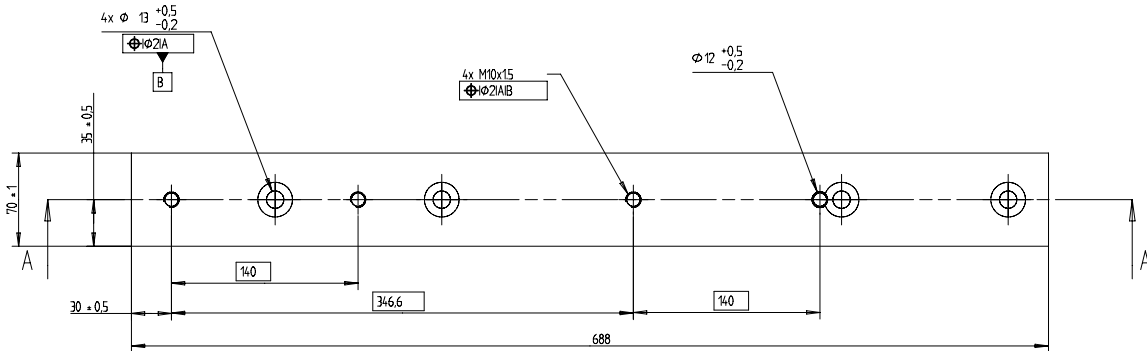
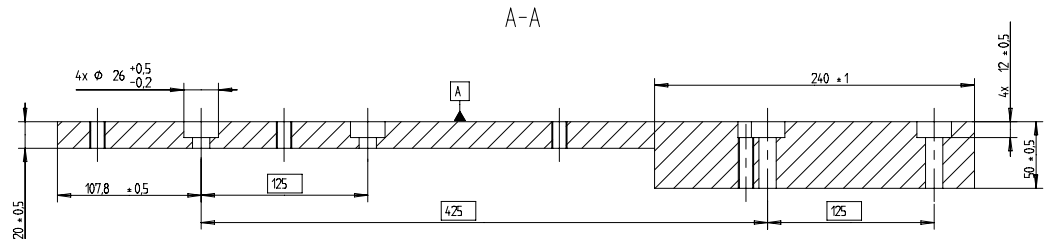
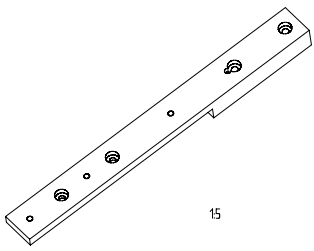


Customer Name VOLVO PENTA	Location	Change description P/A: 1.1.2011 D: 1.2.2011	Document Name Bracket
			Date 10/1
			Revision count 1



SCALE 1:2
FREE FROM BURRS STD 102-0005

SYMBOLS, DIMENSIONS AND GENERAL DRAWING METHODS STD 991-0005 AND STD 94229601		
The copying, distribution and utilization of this document is not allowed without the written permission of the company. Changes will be made for purposes of changes. All rights reserved in the event of the work of a patent, utility model or trademark shall be registered.		
VOLVO PENTA		Document type Bracket
Drawing No 3594142		Sheet No 101

3594142-01 - ЗарпужеHO c www.volvo-penta.com 28.07.2011 10:32:44