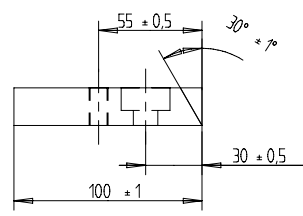
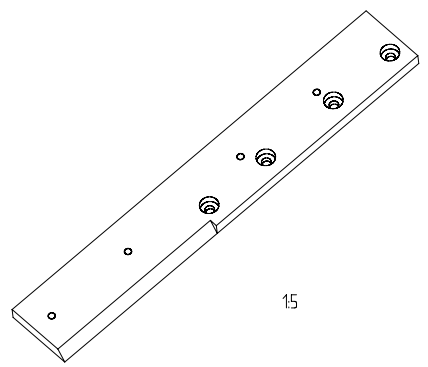
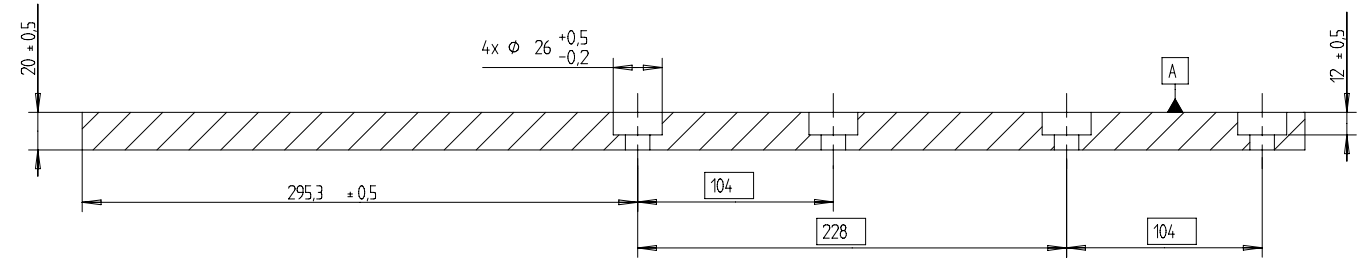


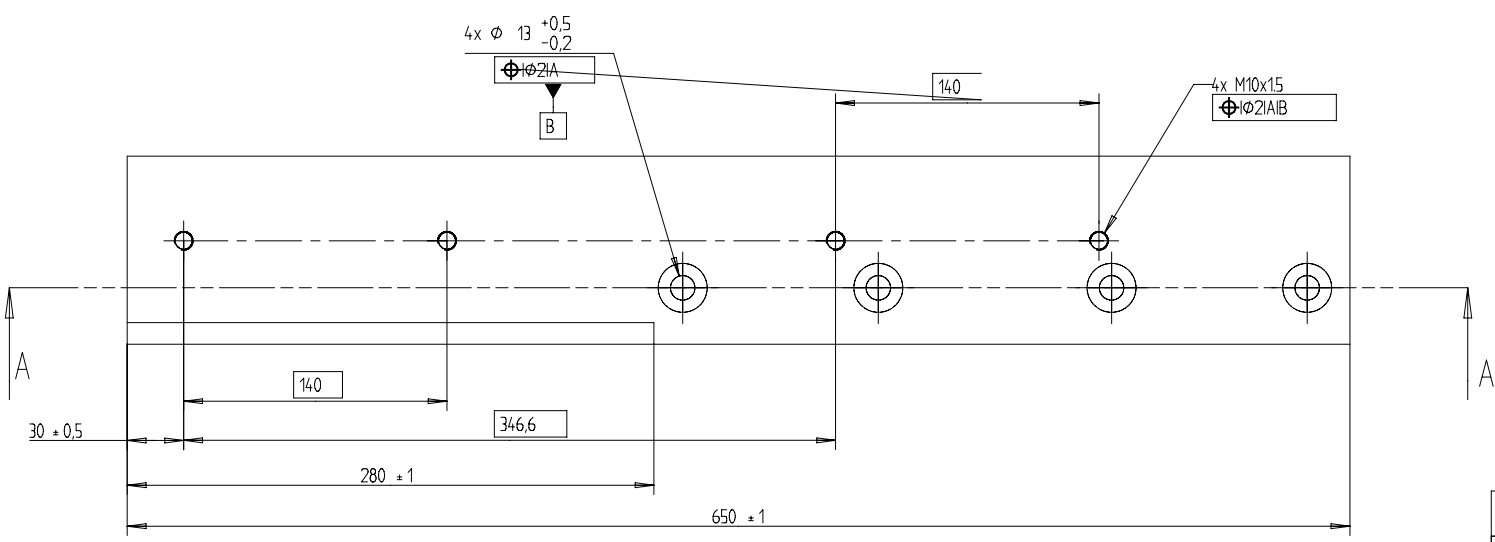
Engineering Release Notice 670	Location	Change description A-Added D-Deleted	W/ins W/ins	P/A: 1. 1. main D: 1. 5. main	Document release status
				Date	Modification count



A-A



SCALE 1:2  
 FREE FROM BURRS STD 102-0005  
 LH PART SHOWN ON DRAWING  
 RH PART MIRROR PART NO:3593861



SYMBOLS, DESIGNATIONS AND GENERAL DRAWING METHODS STD 101-0005 AND STD 5023503		
Document title <b>BRACKET</b>		
Document type Owner domain/Document prefix		
		Document No <b>3593892</b>
Issue index <b>01</b>		Sheet No <b>1/1</b>

3593892-01-3арружено c-www.volvopenta.com-28.07.2011-10:12:06