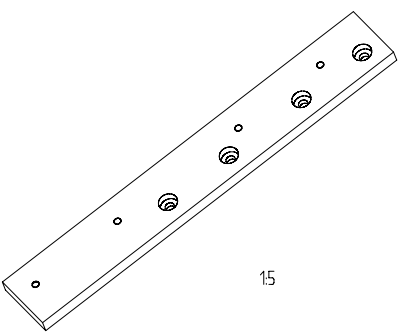


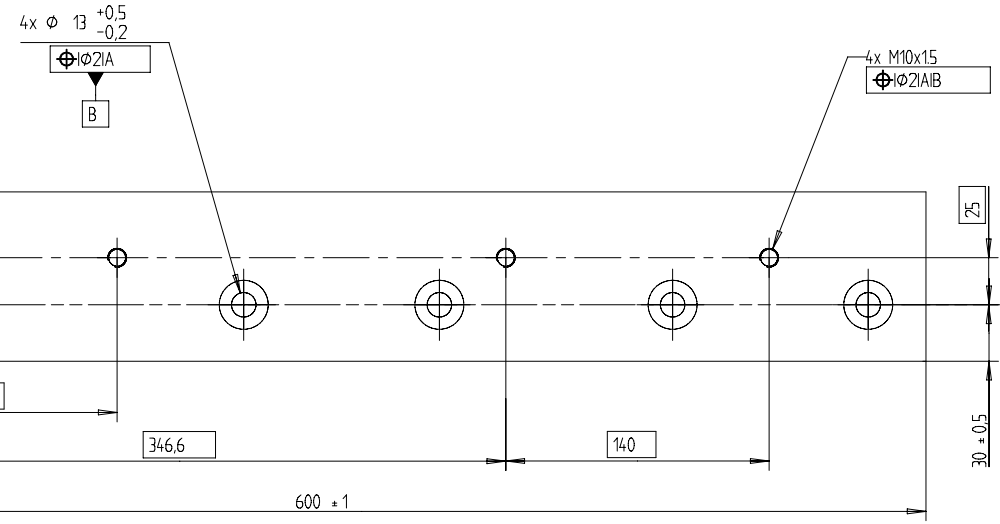
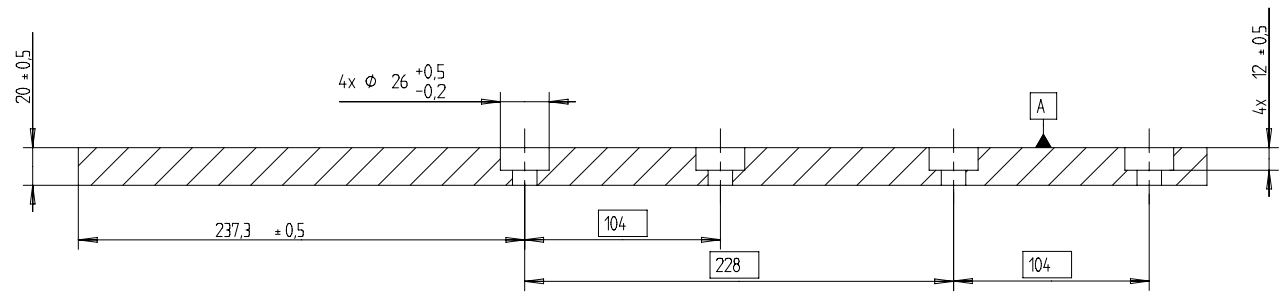
12 11 10 9 8 7 6 5

| | | | | | |
|-----------------------------------|----------|--|----------------------|-------------------------------------|-------------------------|
| Engineering Release Notice 670 | Location | Change description A-Added D-Deleted | W-Insert W-Insert | P/A: 1. 0. main D: 1. 3. main | Document release status |
| | | | | Date | Modification count |



15

A-A



LH PART SHOWN ON DRAWING
RH PART MIRROR PART NO.3593862

SCALE 1:2

FREE FROM BURRS STD 102-0005

| | | |
|--|-------------------|-----------------|
| SYMBOLS, DESIGNATIONS AND GENERAL DRAWING METHODS STD 101-0005 AND STD 5023503 | | |
| Document title BRACKET | | |
| Document type | | |
| Owner domain/Document prefix | | |
| VOLVO PENTA | | |
| Document No 3593863 | Issue index 01 | Sheet No 1/1 |

3593863-01 - 3арружено с www.volvo-penta.com 28.07.2011 10:11:54

