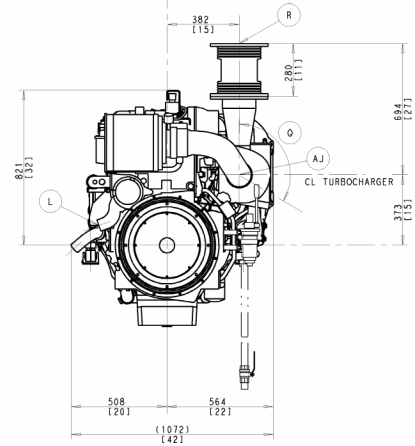
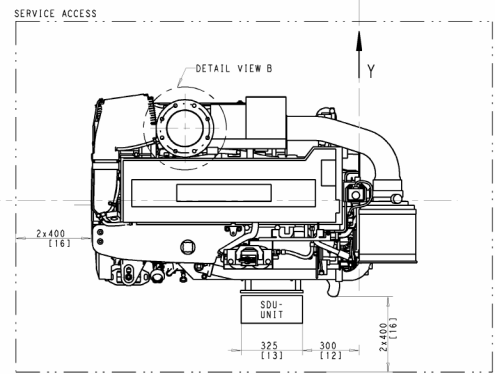


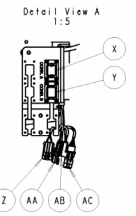
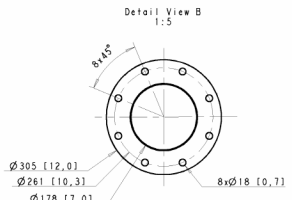
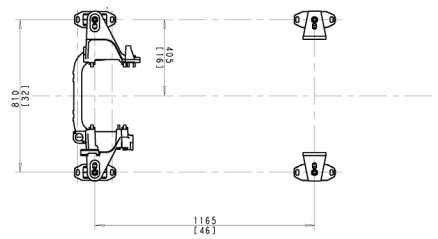
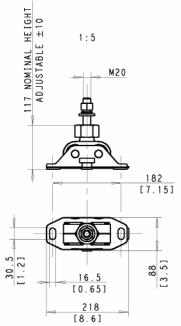
REAR END OF FLYWHEEL HOUSING



- A FUEL CONNECTION INLET 1/4-18 NPTF
- B FUEL CONNECTION OUTLET 1/4-18 NPTF
- C FUEL PRIMER PUMP
- D TWIN FUEL FILTER, SHIFTABLE
- E OIL FILLER
- F OIL DIPSTICK
- G OIL FILTERSx2, (OPTIONAL WITH SHIFT VALVE)
- H OIL FILTER BYPASS
- I HT WATER FILLER
- J HT WATER DRAIN POINTx2 1/8-27 NPTF
- K HT WATER DRAIN POINT TEMA 18418MN3.C
- L LT WATER INLET PUMP Ø63 O.D PIPE
- M LT WATER OUTLET Ø54 O.D PIPE
- N LT WATER DRAIN POINTx1 1/8-27 NPTF
- O AIR FILTER ENGINE
- P PRESSURE DROP INDICATOR, AIR FILTER
- Q TURNABLE EXHAUST BEND 120°
- R FLEXIBLE COMPENSATOR EXHAUST SYSTEM Ø7" (OPTIONAL)
- S LIFTING EYESx3 Ø30MM
- T ENGINE SUSPENSION
- U CONNECTION BATTERY POS. AND NEG. M12 SCREW
- V EMERGENCY STOP
- W POWER CONTROL MODULE
- X CONNECTOR A
- Y CONNECTOR B
- Z WIF CONNECTOR
- AA CONNECTOR EXTERNAL STOP
- AB CAN 2
- AC CONNECTOR EASY LINK
- AD MANUAL OIL DRAIN PUMP, 20mm I.D HOSE (OPTIONAL)
- AE AIR STARTER MOTOR (OPTIONAL)
- AF AIR STARTER CONNECTION, FERRULE FITTING Ø28MM PIPE
- AG ENGINE HEATER 220V (OPTIONAL)
- AH ENGINE COOLANT SHUTDOWN SWITCH (OPTIONAL)
- AI ENGINE OILPRESSURE SHUTDOWN SWITCH (OPTIONAL)
- CG CENTRE OF GRAVITY

X, Y, Z, DIM FROM CRANKSHAFT CENTER AND REAR END OF FLYWHEEL HOUSING OF ENGINE

- A -X200 -Y370 +Z185
- B -X200 -Y380 +Z210
- A B CONNECTION FOR FUEL HOSE L=550mm HOSE END TO CUSTOMER INTERNAL M18x1.5 (DIN3863)
- L +X30 -Y360 +Z105 (TURNABLE)
- M -X125 -Y520 -Z75 (TURNABLE)
- R -X920 +Y380 +Z1070
- X -X175 -Y240 +Z575
- Y -X175 -Y240 +Z535
- Z AA AB AC -X45 -Y370 +Z350
- AH -X960 +Y315 +Z490
- AJ -X970 -Y420 +Z370
- AJ -X745 +Y385 +Z380 (TURNABLE)
- CG -X740 -Y10 +Z215



DRY WEIGHT 1520 KILOGRAM
OIL CAPACITY AND COOLING WATER CAPACITY SEE DATA SHEET
SCALE: 1:10

VOLVO PENTA

ENGINE DIMENSIONS
DIS MHE BORTAIL
AIR/EL STARTER
DIMENSION DRAWING

21693394 04