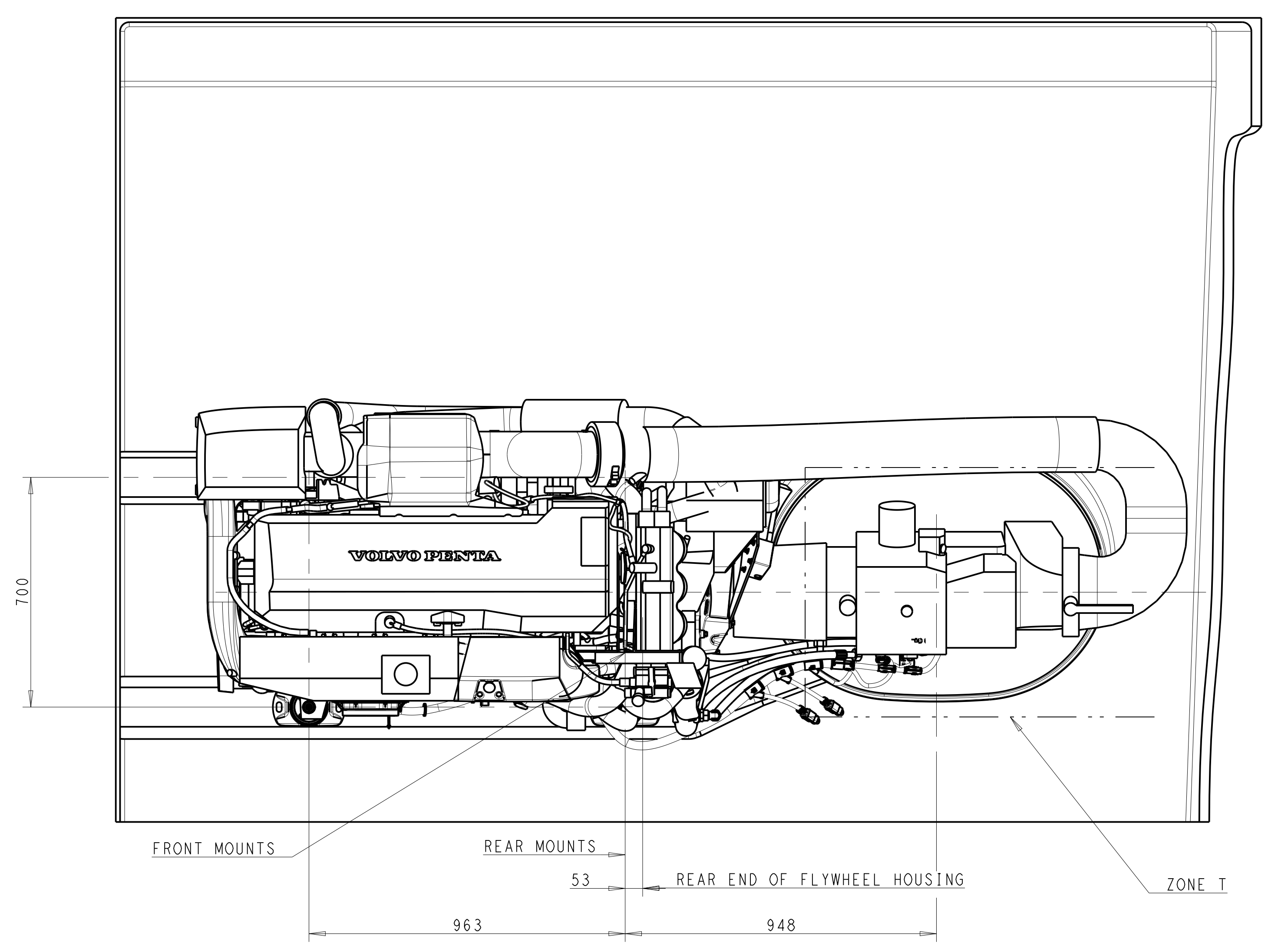
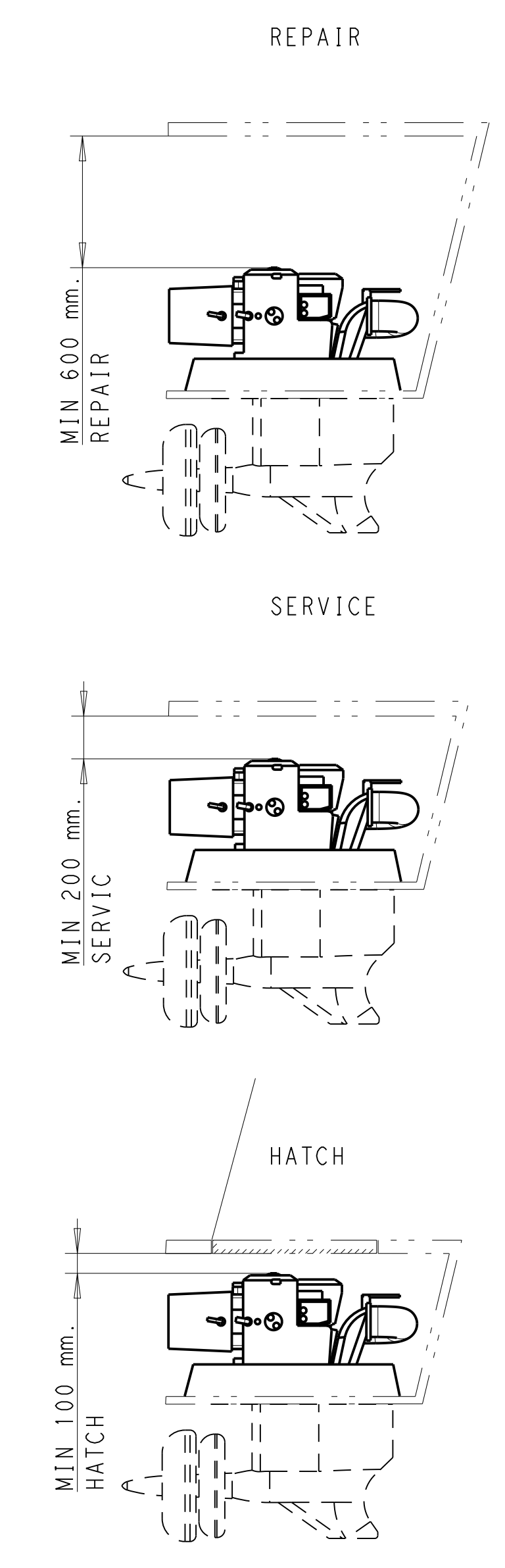
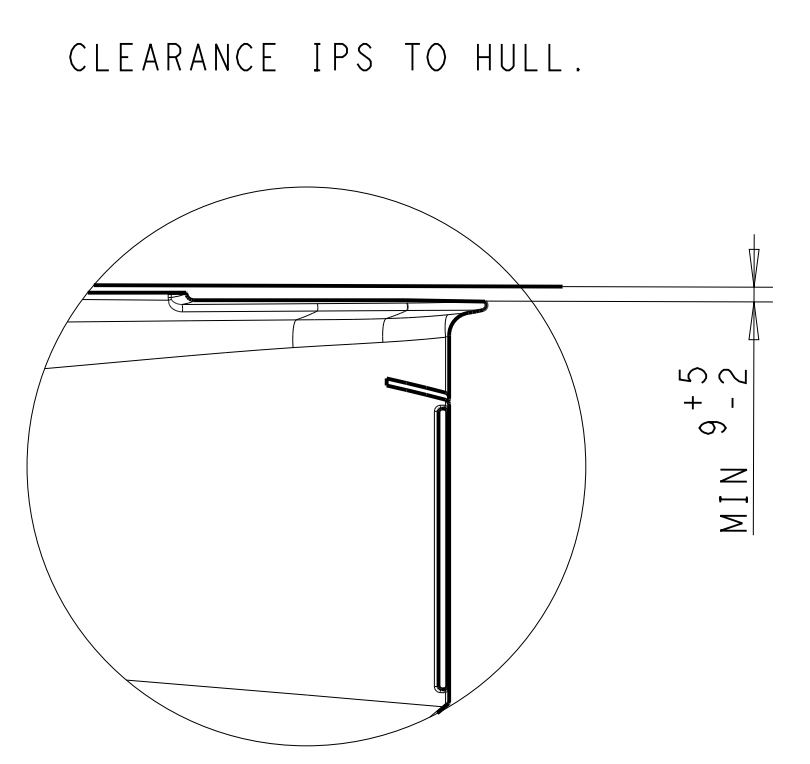


CARDAN LENGTH	D	E	F	G	TOTAL WEIGHT / DRIVE LINE
STD 370±15mm	816±15	895±15	3287±15	70	1820kg
530-630mm	976-1076	1055-1155	3447-4547	20	1825kg
700-800mm	1146-1246	1225-1325	3617-3717	-40	1830kg
1100-1200mm	1546-1646	1625-1725	4017-4117	-180	1840kg
1500-1600mm	1946-2046	2025-2125	4417-4517	-310	1850kg
1900-2000mm	2346-2446	2425-2525	4817-4917	-450	1860kg
2400-2500mm	2846-2946	2925-3025	5317-5417	-620	1870kg

A°	B	C
5	739	674
6	747	659
7	756	644
8	765	628
9	774	611
10	784	594
11	794	577
12	804	559
13	814	540
14	825	521
15	836	501
16	847	481
17	859	459
18	871	438
19	883	415
20	896	392
21	909	369
22	923	344
23	937	319
24	951	293



IPS UNIT

- (L) CONNECTION WATER IN OIL
- (K) OIL DRAIN (2x)
- (J) CONNECTION RPM SENDER
- (H) CONNECTION ELECTRICAL CONTROL
- (G) CONNECTION BATTERY POS. AND NEG.
- (F) CONNECTION OIL TEMP./PRESSURE
- (E) CONNECTION, SHIFT SOLENOIDS
- (D) OIL DIPSTICK GEAR BOX
- (C) OIL FILLER GEAR BOX

FOR EASY INSTALLATION, USE ENGINE/IPS BED INSTALLATION TOOL

ENGINE

SEE DIMENSION DRAWING FOR ENGINE

SCALE 1:10

<p>The copying, distribution and utilization of this document as well as the completion of its contents in other languages are prohibited without the express written consent of Volvo Penta.</p> <p>© 2004 Volvo Penta AB. All rights reserved. In the event of a patent, utility model or trademark registration.</p>	<p>SYMBOLS, DESIGNATIONS AND GENERAL DRAWING METHODS STD 101-0005</p>	
	<p>Document title DIMENSION DRAWING</p>	
	<p>IPS 20 WITH D11</p>	
	<p>TWIN</p>	
<p>Document type INSTALLATION DRAWING</p>		
<p>Document No 22202230</p>		
<p>Issue index 04</p>		<p>Sheet No 1(1)</p>