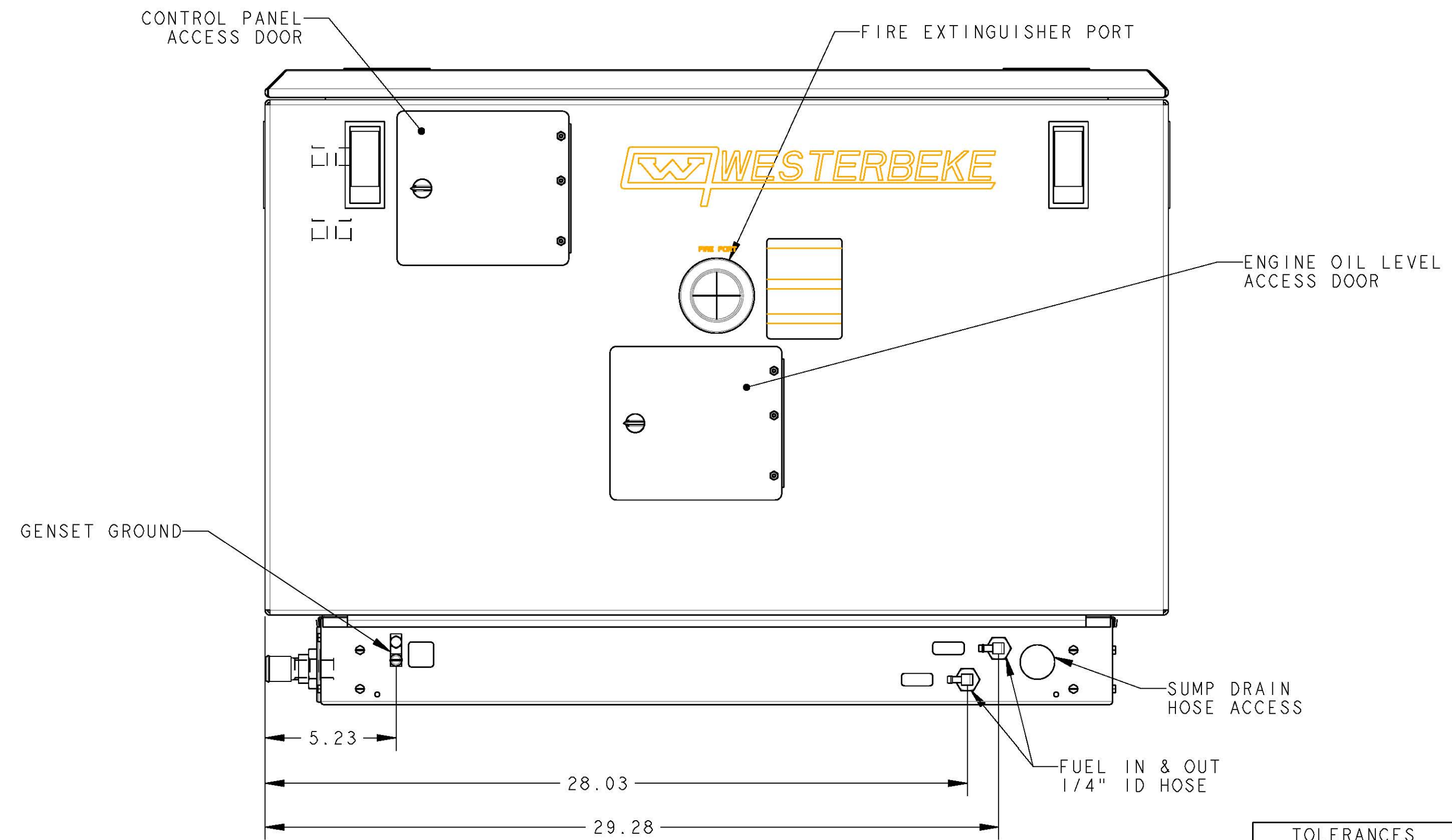
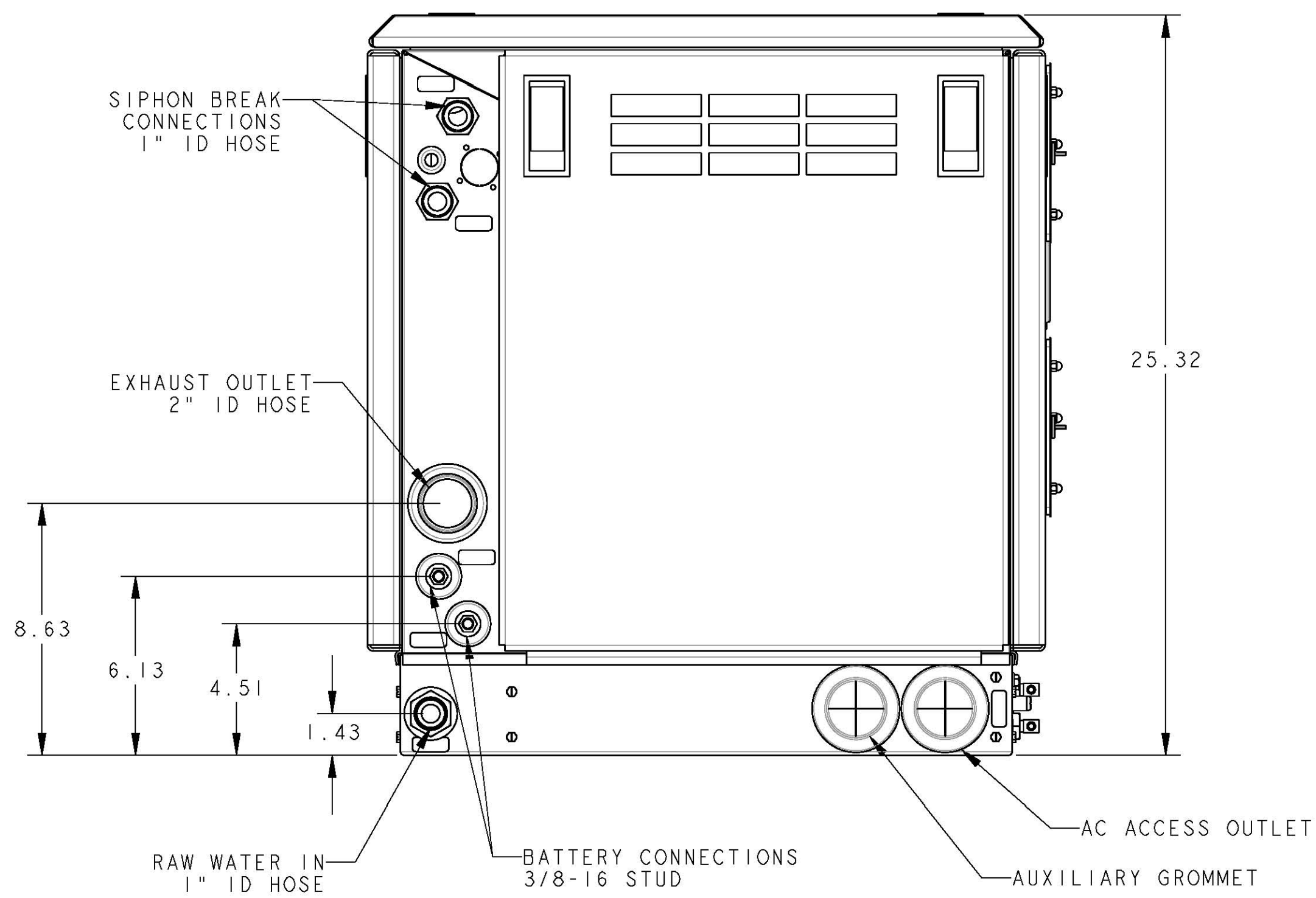
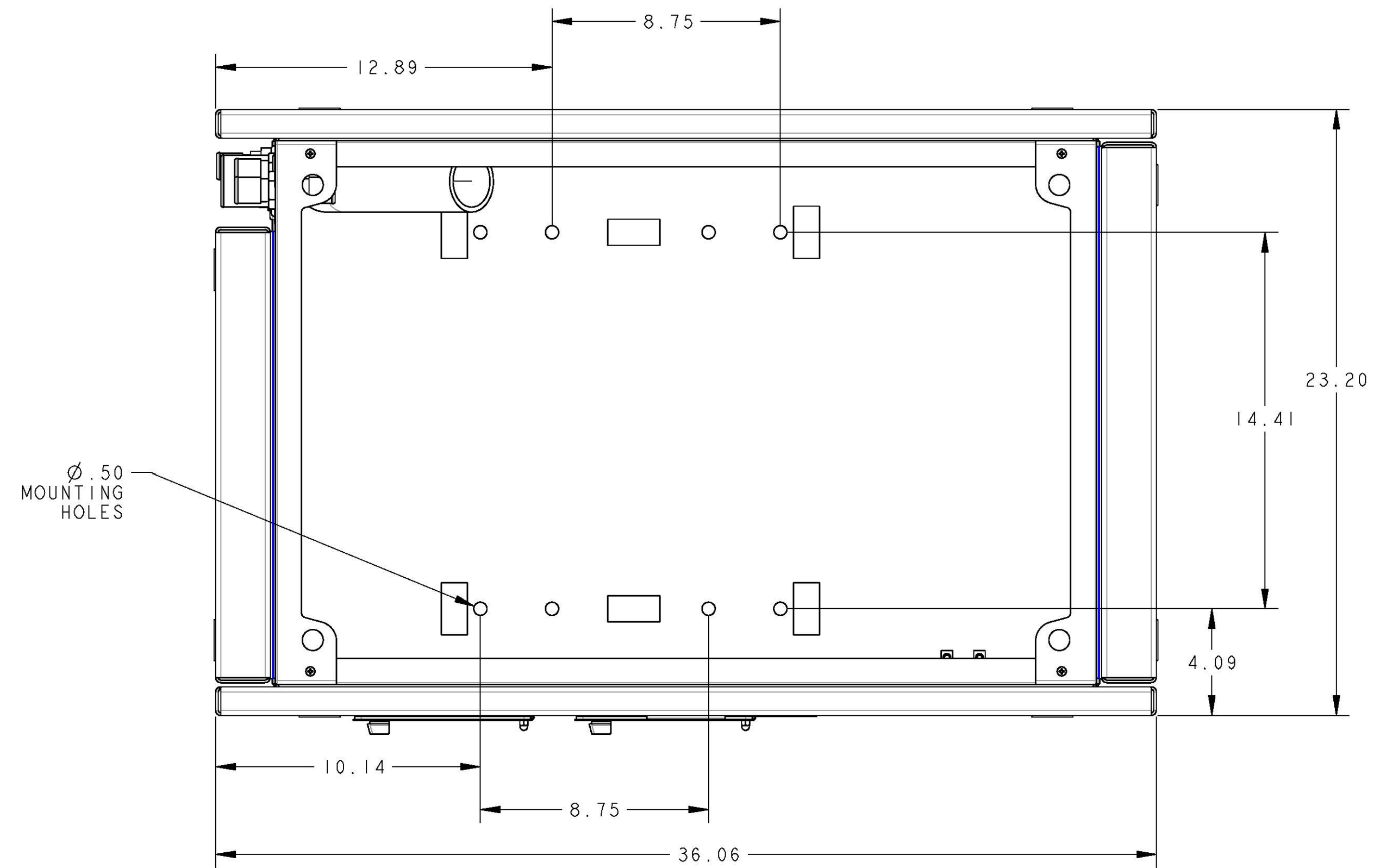
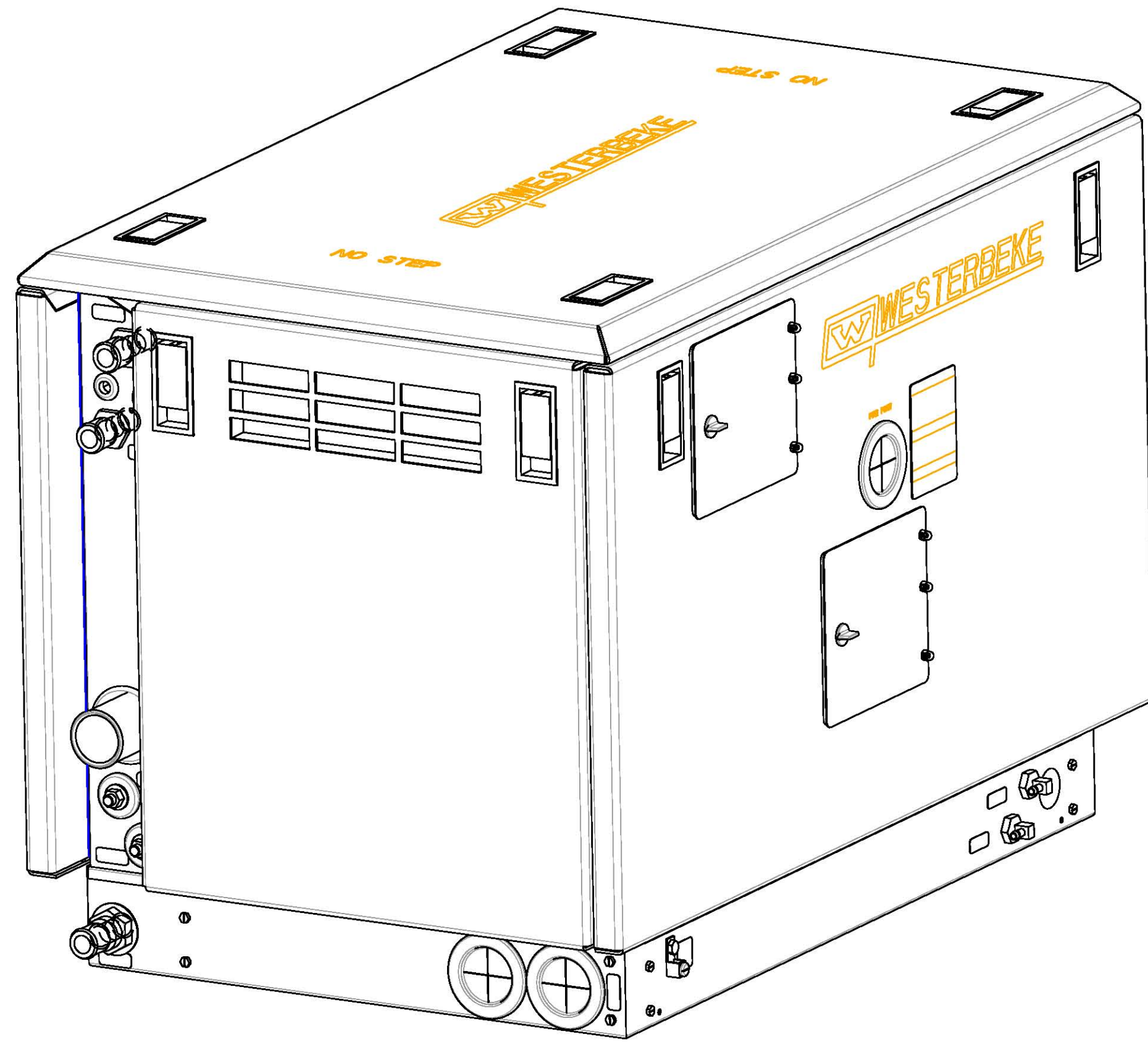


ECO NO.	DATE	REV.	REVISION RECORD	AUTH.	DR. BY
6602	2-24-2009	A	UPDATE TITLE WITH 11.5 BTD/EDT.		GA



TOLERANCES (UNLESS OTHERWISE NOTED)		WESTERBEKE CORPORATION TAUNTON, MA. 02780	
INCHES	MILLIMETERS	TITLE	
.XX : .02	.X : ± 1.0	INSTALLATION, SOUND GUARD 8-10 BTDA,	
.XXX : .005	.X : ± .5	11.5-12.6 BTD; 8-10 EDT, 11.5-12.6 EDT	
CAST : .03	.XX : ± .13		
ANGLES : 5			
FINISH : 3			
DIMENSIONS		DRAWN BY	DATE
INCHES		BM	30/Aug/04
MILLIMETERS		APPROVED BY	DATE
(WHEN APPLICABLE)			
SCALE 0.250	SIZE	DRAWING NUMBER	REV.
SHT. 1 OF 1	D	49700	A