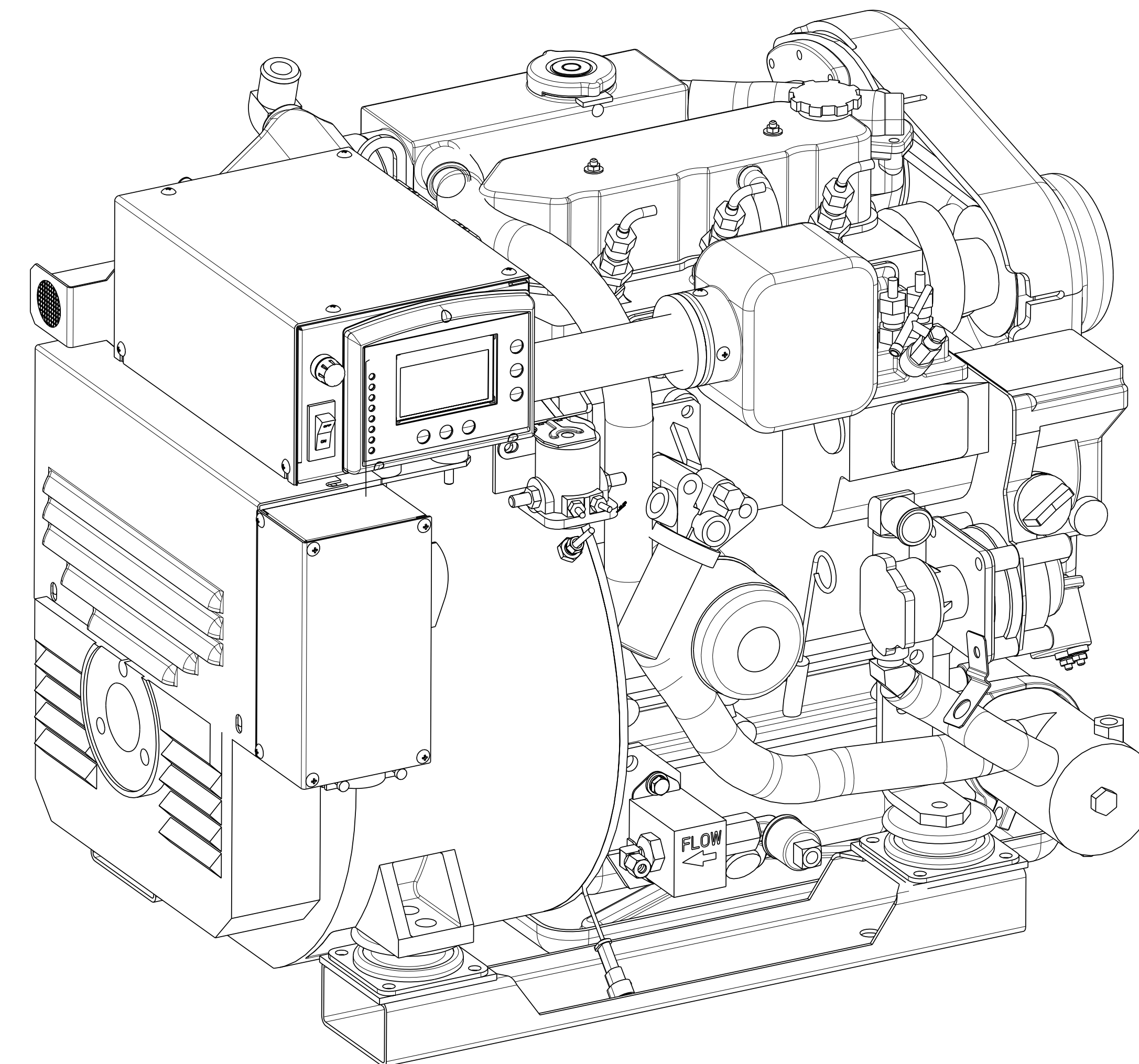
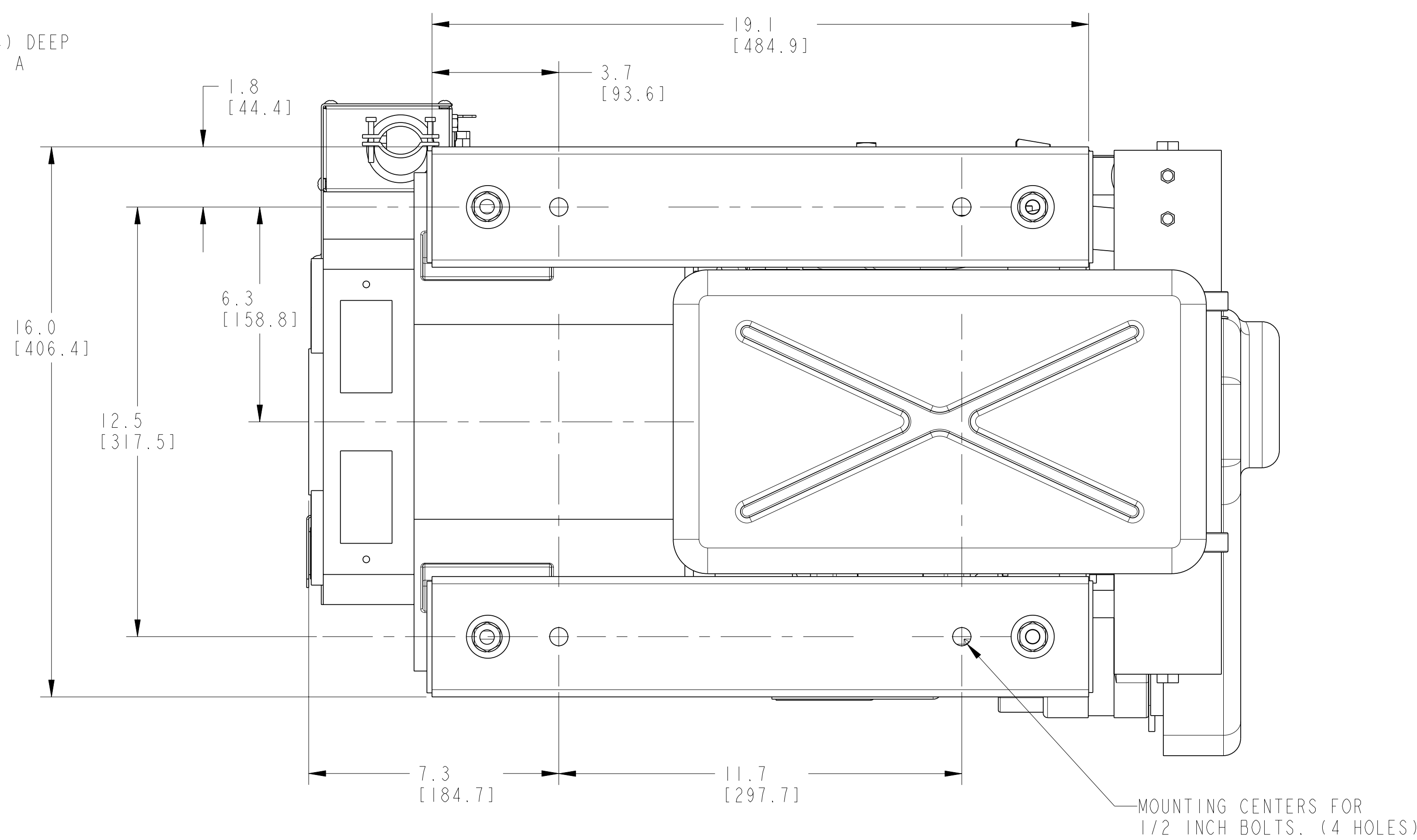


M12 x .75 THREAD, 1.0 (25.4) DEEP (3) HOLES EQUALLY SPACED ON A Ø3.34 (85.0) B.C.



TOLERANCES UNLESS OTHERWISE NOTED:		WESTERBEKE CORPORATION TAUNTON, MA. 02780	
INCHES	MILLIMETERS	TITLE	
XX : .005	X : ±.010	INSTALLATION DRAWING	
XXX : .005	.XX : ±.13	7.6 EDT	
ANGLES : .2°		DRAWN BY	DATE
FINISH : Z		GA	26/Jul/06
DIMENSIONS		APPROVED BY	MATERIAL:
INCHES	MILLIMETERS	SCALE 0.380	SIZE DRAWING NUMBER
(WHEN APPLICABLE)	SHT. 1 OF 2	E	52798